

eBOX531-820-FL

Fanless Embedded System with Intel® Atom™ Processor Z510/ Z530 up to 1.6 GHz and Wide Range DC-in



Specifications

Standard Color	Silver-Black
Construction	Aluminum extrusion and heavy-duty steel, IP40
CPU	Intel® Atom™ processor Z510 (1.1 GHz) or Z530 (1.6 GHz)
System Memory	1 x 200-pin DDR2 SO-DIMM max. up to 2 GB
Chipset	Intel® US15W core logic
BIOS	Phoenix-Award
System I/O Outlet	2 x RS-232 (COM 1/2) 1 x VGA 1 x Audio (Line-out/Mic-in) 1 x PS/2 keyboard/mouse 1 x 10/100/1000Mbps Ethernet (Realtek RTL8111B) 4 x USB 2.0 1 x VDC power input connector
Watchdog Timer	255 levels, 1 ~ 255 sec.
Storage	1 x CompactFlash™ slot 1 x 2.5 SATA HDD drive bay
Expansion Interface	N/A
System Indicator	1 x green LED for system power-on 1 x orange LED for HDD active
Power Supply	25W 10 ~ 30VDC
Operating Temperature	0°C ~ +45°C (32°F ~ 113°F) (with W.T. HDD) 0°C ~ +50°C (32°F ~ 122°F) (with W.T. SSD & W.T. CF)
Storage Temperature	-20°C ~ +80°C (-4°F ~ +176°F)
Humidity	10% ~ 90%, no-condensing
Dimensions	132 mm (5.19") (W) x 95.4 mm (3.75") (D) x 59.5 mm (2.34") (H)
Weight (net/gross)	0.76 kg (1.67 lb)/1.3 kg (2.86 lb)
Certification	CE
EOS Support	XPE, WinCE, Linux, WES, WES7

- * XPE: Windows® XP Embedded
- * WES: Windows® XP Embedded Standard
- * WES7: Windows® XP Embedded Standard 7
- * WES8: Windows® XP Embedded Standard 8

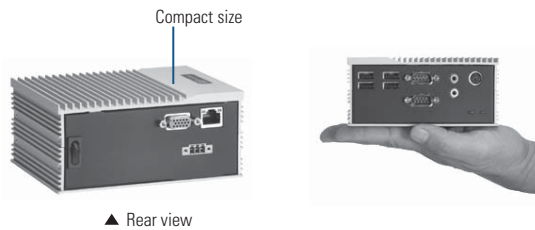
Packing List

- 1 x quick manual
- 1 x driver CD
- 1 x Y cable for PS/2 keyboard/mouse
- 1 x screw pack
- 4 x foot pad
- 1 x wall mount kit
- 1 x HDD mylar
- 1 x DC-in connector

* All specifications and photos are subject to change without notice.
© 2014 Axiomtek Co., Ltd. All rights reserved.

Features

- Intel® Atom™ processor Z510 (1.1 GHz) or Z530 (1.6 GHz) onboard
- Intel® US15W core logic chipset
- Ultra slim and power-efficient design
- Supports 4 USB 2.0 ports and 2 COM ports
- Supports 10/100/1000Mbps Ethernet
- One 2.5" SATA HDD drive bay, 1 CompactFlash™
- Wide range DC-in



Power Protection

- DC Version**
- OVP (over voltage protection)
 - UVP (under voltage protection)
 - Reverse protection

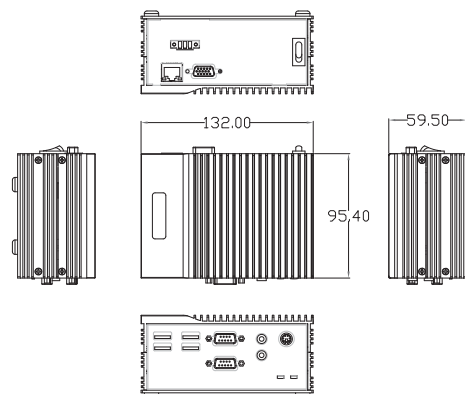
Ordering Information

Standard	
eBOX531-820-FL1.1G	Fanless embedded system with Intel® Atom™ processor Z510.1 GHz and wide range DC-in
eBOX531-820-FL1.6G	Fanless embedded system with Intel® Atom™ processor Z530.6 GHz and wide range DC-in

Optional	
2.5" SATA HDD	40 GB or above
2.5" SATA SSD	4 GB or above
DDR2 SODIMM	512 MB ~ 2 GB
CompactFlash™	1 GB or above
Din rail kit	
VESA mount kit	

*Specifications and certifications are based on options and may vary.

Dimensions



Overview

Embedded Systems

Embedded Systems for Transportation

Embedded Field Controllers

Embedded MicroBoxes

Industrial Barebone Systems

Industrial Chassis

Backplanes

Power Supplies

Peripherals & Accessories