

P6153

15" XGA TFT Industrial LCD Monitor



1. Exit
2. Menu
3. SEL-
4. SEL+
5. Power LED
6. Power switch

7. T/S port
8. DC power input
9. DVI (Only for DVI-D)
10. VGA
11. Video (CVBS)
12. S-video

Features

- 15" TFT 420 nits high brightness XGA LCD
- NEMA 4/12 (IP65)- compliant panel mounting flat panel monitor
- Resistive touchscreen
- Supports full range screw-type (locked) AC-in or 24V DC-in (option)
- Supports multi-signal inputs: VGA, S-video, Video and DVI
- Supports panel mount, wall mount, rack mount and VESA arm



▲ Side view

Introduction

The P6153 is a slim & compact industrial LCD monitor equipped 15-inch 420 nits brightness XGA LCD display and supports multi-signal interfaces including DVI, VGA, S-Video, Video. Featuring NEMA 4/12 & IP65 compliant front bezel, screw-type adaptor plug design, and 12/24V DC-In means it is fit for all kinds of industrial environments. Moreover, the P6153 supports panel mount, wall mount, rack mount or VESA FPMPMI (Video Electronics Standards Association Flat Panel Monitor Physical Mounting Interface) mounting. With the compact mechanism design, users can enjoy free from space constraint. The P6153 is especially suitable for POI/POS, excellent HMI, media-display applications and all kinds of heavy-duty industrial fields.

Specifications

Front Bezel	NEMA 4/12 (IP65)-compliant, metal front bezel	
Mounting	Panel mounting, wall mounting rackmount or VESA FPMPMI mounting (video electronics standards association Flat Panel monitor physical mounting interface)	
LCD Panel	Display Type	15" TFT XGA LCD
	Max. Resolution	1024 x 768
	Max. Colors	16.2M
	Active Area (mm)	304.128 x 228.096
	Pixel Pitch (mm)	0.297 x 0.297
	Response Time	16 ms
	Backlight	LED
	Backlight MTBF	30,000 hrs
	Viewing Angle (H/V)	160°/160°
	Contrast Ratio	800 (TYP.)
Brightness (cd/m ²)	420 nits	
Display Control	OSD (on screen display)	
Display Mode	VGA 640 x 350/ VGA 640 x 480/ VGA 720 x 400/ SVGA 800 x 600/ XGA 1024 x 768	



Specifications

Input Signal	VGA Video: R.G.B Analog 0.7v Peak-to-Peak DVI (Only for DVI-D) Touchscreen: Serial RS-232 or USB Interface Video (optional) S-Video (optional)
I/O Connectors	1 x RS-232 for touchscreen version 1 x VGA input 1 x DVI-D 1 x Screw-type DC power input 1 x RCA for video (optional) 1 x S-Video for video (optional)
Power Adapter	Screw-type external AC / DC power adapter
Touchscreen	Thickness Resistive: 3.2 mm Light Transmission Resistive: 80% Power Consumption Resistive: +5V @ 100mA Touch Life Resistive: 35million touches Controller interface: RS-232 D-type 9-pin male connector or USB connector
Dimensions	400 mm (15.75") (W) x 55 mm (2.16") (D) x 320 mm (12.6") (H)
Packing Dimensions	510 mm (20.08") (W) x 190 mm (7.48") (D) x 540 mm (21.26") (H)
Weight (net/gross)	4.8 kg (10.58 lb)/8.2 kg (18.08 lb)
Environment	Operating temperature: -20° ~ +60°C (-4°F ~ +40°F) Storage temperature: -20°C ~ +70°C (-4°F ~ +158°F) Relative humidity: 20%~90%@40°C, non-condensing
Certificate	CE



▲ Stand kit

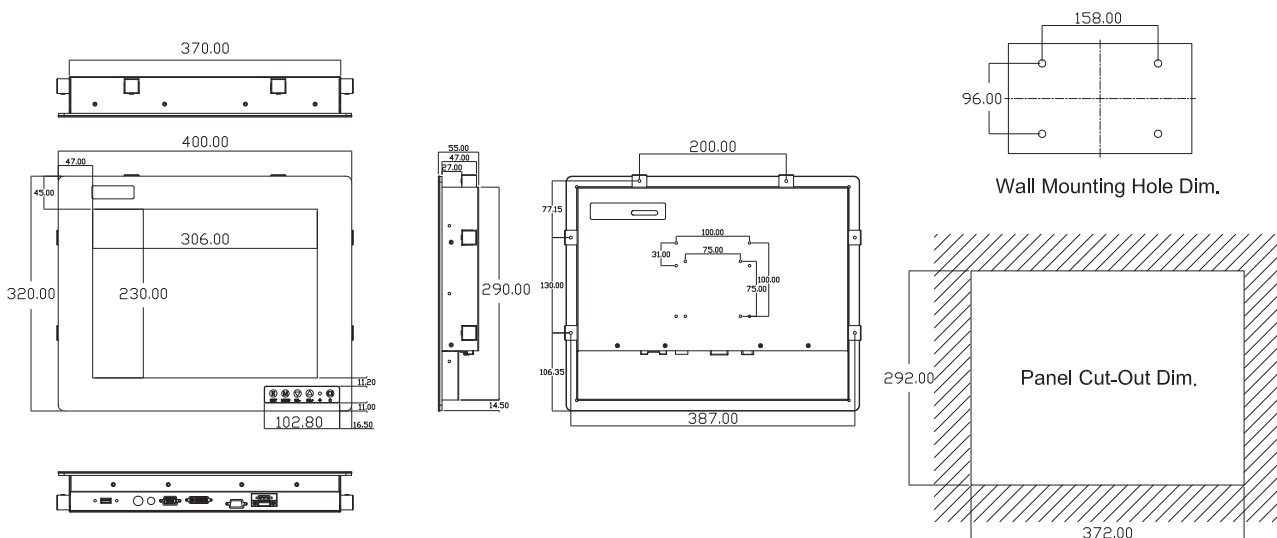


▲ Screw-type power input



▲ Phoenix-type power input

Dimensions



Ordering Information

P6153

AC Power	Panel Mount Monitor
Resistive (RS-232)	P6153PR-AC-RS-V3-RC-US-EU
Resistive (USB)	P6153PR-AC-U-V3-RC-US-EU
Glass	P6153PG-AC-V3-RC-US-EU
24VDC Power	Panel Mount Monitor
Resistive (RS-232)	P6153PR-24V-DC-RS-V3-RC
Resistive (USB)	P6153PR-24VDC-U-V3-RC
Glass	P6153PG-24VDC-V3-RC

P6153L (Input: VGA and DVI only)

AC Power	Panel Mount Monitor
Resistive (RS-232)	P6153LPR-AC-RS-V3-RC-US-EU
Resistive (USB)	P6153LPR-AC-U-V3-RC-US-EU
Glass	P6153LPG-AC-V3-RC-US-EU
24VDC Power	Panel Mount Monitor
Resistive (RS-232)	P6153LPR-24V-DC-RS-V3-RC
Resistive (USB)	P6153LPR-24V-DC-U-V3-RC
Glass	P6153LPG-24V-DC-V3-RC

* Specification and certifications are based on options and may vary.

Optional Accessories

ARM-VM-101	VESA ARM (clamp type)
ARM-VM-105	VESA ARM (wall mount type)
Wall mounting & desktop stand	
Rack-mount kit	

Overview

Fanless Touch Panel Computers

Heavy-duty Fanless Touch Panel Computers

Industrial Touch Panel Computers

Industrial Touch panel Monitors

Infotainment Touch Panel Computers

Healthcare & Medical Solutions

Open Frame Panel Computers

Accessories

