

UPort® 2210/2410

2 and 4-port RS-232 USB-to-serial converters



- > Hi-Speed USB 2.0 for up to 480 Mbps USB transmission
- > 921.6 kbps maximum baudrate for super fast data transmission
- > Drivers provided for Windows and Linux
- > Supports fixed-base COM Utility for setting the initial extended COM port number
- > LEDs for easy monitoring



Overview

The UPort® 2210/2410 USB-to-serial converters allow you to connect 2 or 4 RS-232 devices to your laptop or workstation through the USB (Universal Serial Bus) port. The UPort® 2210 and UPort® 2410 are

cost-effective solutions for both new and legacy RS-232 devices, and they are perfect for mobile, instrumentation, and point-of sale applications.

Specifications

USB Interface

Compliance: USB 1.1/2.0 compliant
Connector: USB Type B
Speed: 480 Mbps (Hi-Speed USB) and 12 Mbps (Full-Speed USB)

Serial Interface

Number of Ports:
 UPort 2210: 2
 UPort 2410: 4
Serial Standards: RS-232
Connector: DB9 male

Performance

Baudrate: 50 bps to 921.6 kbps

Serial Communication Parameters

Data Bits: 5, 6, 7, 8
Stop Bits: 1, 1.5, 2
Parity: None, Even, Odd, Mark, Space
Flow Control: RTS/CTS, XON/XOFF
I/O Address: Assigned by BIOS
IRQ: Assigned by BIOS
FIFO: 16 bytes

Serial Signals

RS-232: TxD, RxD, RTS, CTS, DTR, DSR, DCD, GND

Operating Systems

Windows Real COM Drivers: Windows 2000, Windows XP/2003/ Vista/2008/7/8/8.1/10 (x86/x64), Windows 2012 (x64)
Mac Driver: Mac OS X
Linux Real TTY Drivers: Linux 2.4.x, 2.6.x, 3.x
Note: Please refer to Moxa's website for the latest driver support information.

Physical Characteristics

Housing: Polycarbonate (PC)
Weight:
 Product only:
 UPort 2210: 120 g (0.26 lb)
 UPort 2410: 210 g (0.46 lb)

Packaged:

UPort 2210: 325 g (0.72 lb)
 UPort 2410: 455 g (1 lb)

Dimensions:

UPort 2210: 70 x 35 x 120 mm (2.76 x 1.38 x 4.72 in)
 UPort 2410: 80 x 35 x 185 mm (3.15 x 1.38 x 7.28 in)

Environmental Limits

Operating Temperature: 0 to 55°C (32 to 131°F)
Storage Temperature: -20 to 75°C (-4 to 167°F)
Ambient Relative Humidity: 5 to 95% (non-condensing)

Standards and Certifications

Safety: UL 60950-1
EMC: EN 55022/24
EMI: CISPR 22, FCC Part 15B Class B
EMS:
 IEC 61000-4-2 ESD: Contact: 8 kV; Air: 4 kV
 IEC 61000-4-3 RS: 80 MHz to 1 GHz: 3 V/m
 IEC 61000-4-4 EFT: Power: 1 kV
 IEC 61000-4-5 Surge: Power: 1 kV
 IEC 61000-4-6 CS: 150 kHz to 80 MHz: 3 V/m
 IEC 61000-4-8 PFMF

Green Product: RoHS, CRoHS, WEEE

Power Requirements

Input Voltage: 5 VDC
Input Current: UPort 2210: 140 mA @ 5 VDC
 UPort 2410: 240 mA @ 5 VDC

MTBF (mean time between failures)

Time:
 UPort 2210: 4,221,778 hrs
 UPort 2410: 3,901,775 hrs
Standard: Telcordia (Bellcore), GB

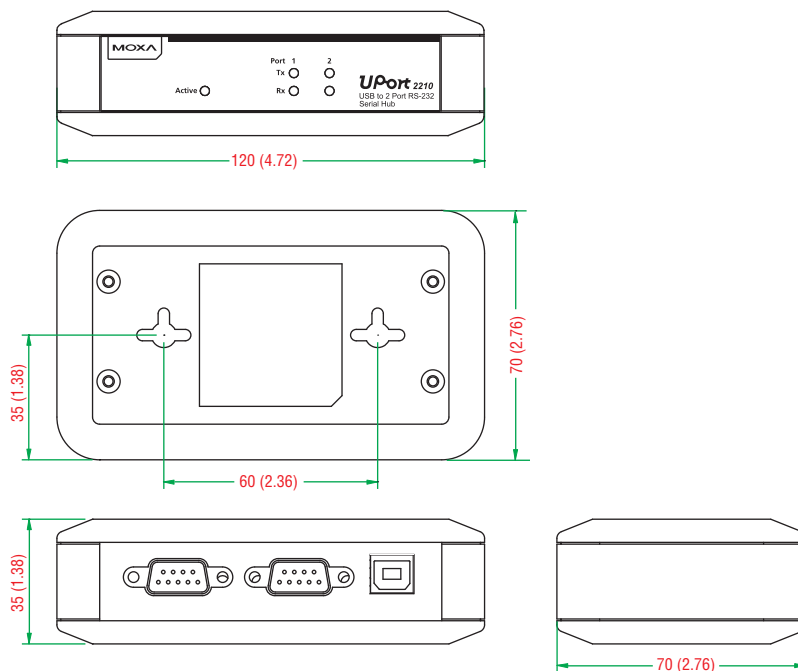
Warranty

Warranty Period: 5 years
Details: See www.moxa.com/warranty

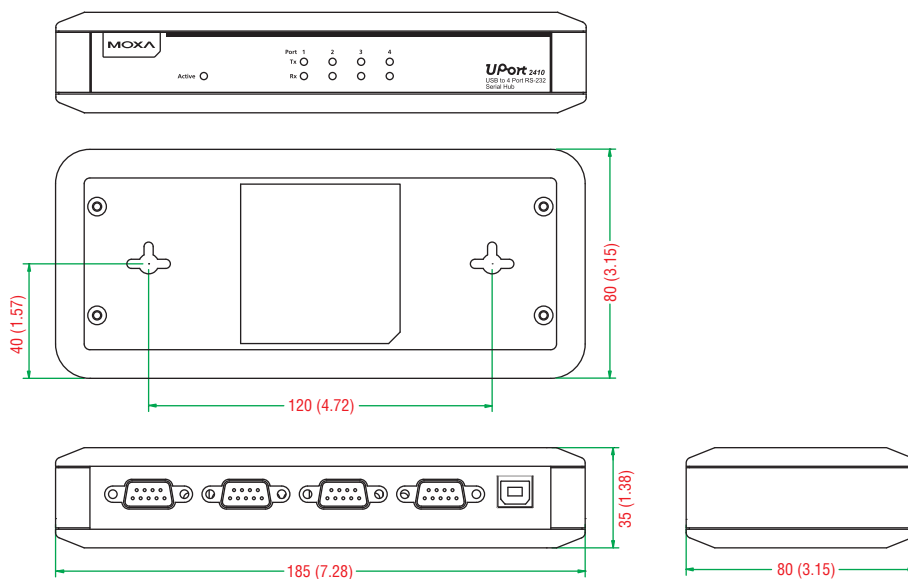
Dimensions

Unit: mm (inch)

UPort® 2210



UPort® 2410



⦿ Ordering Information

Available Models

UPort 2210: 2-port RS-232 USB-to-serial converter

UPort 2410: 4-port RS-232 USB-to-serial converter

Optional Accessories (can be purchased separately)

CBL-USBA/B-100: USB Type A to USB Type B cable, 100 cm

Package Checklist


- 1 UPort 2210 or UPort 2410 USB-to-serial converter
- USB cable: CBL-USBA/B-100
- Documentation and software CD
- Quick installation guide (printed)
- Warranty card

Power Accessory Selection Guide

13

Industrial USB > Power Accessory Selection Guide

Barrel Plug Type		Non-locking barrel plug	Locking barrel plug				
O/P		12 VDC, 1.5 A, 100 to 240 VAC	12 VDC, 3 A 100 to 240 VAC (Switch Mode)				
Plug Type		CN	US/JP	EU	AU	UK	CN
Model Name		PWR-12150-CN-S2	PWR-12300-WPUSJP-S1	PWR-12300-WPEU-S1	PWR-12300-WPAU-S1	PWR-12300-WPUK-S1	PWR-12300-WPCN-S1
Appearance							
2 ports	UPort 1250	-	-	-	-	-	-
	UPort 1250I	✓	-	-	-	-	-
	UPort 2210	-	-	-	-	-	-
4 ports	UPort 1410	✓	-	-	-	-	-
	UPort 1450	✓	-	-	-	-	-
	UPort 1450I	✓	-	-	-	-	-
	UPort 2410	-	-	-	-	-	-
	UPort 204	-	✓	✓	✓	✓	✓
	UPort 404	-	✓	✓	✓	✓	✓
7 ports	UPort 207	-	✓	✓	✓	✓	✓
	UPort 407	-	✓	✓	✓	✓	✓
8 ports	UPort 1610-8	✓	-	-	-	-	-
	UPort 1650-8	✓	-	-	-	-	-
16 ports	UPort 1610-16	-	-	-	-	-	-
	UPort 1650-16	-	-	-	-	-	-

Barrel Plug Type		Locking barrel plug					
O/P		12 VDC 2 A, 100 to 240 VAC (desktop type)	2.5A/250 V Power Cord, 183 cm				
Plug Type		Must be used with a power cord	US	JP	EU	AU	UK
Model Name		PWR-12125-DT-S2	PWC-C7US-2B-183	PWC-C7JP-2B-183	PWC-C7EU-2B-183	PWC-C7AU-2B-183	PWC-C7UK-2B-183
Appearance							
2 ports	UPort 1250	✓	✓	✓	✓	✓	✓
	UPort 1250I	✓	✓	✓	✓	✓	✓
	UPort 2210	-	-	-	-	-	-
4 ports	UPort 1410	✓	✓	✓	✓	✓	✓
	UPort 1450	✓	✓	✓	✓	✓	✓
	UPort 1450I	✓	✓	✓	✓	✓	✓
	UPort 2410	-	-	-	-	-	-
	UPort 204	-	-	-	-	-	-
	UPort 404	-	-	-	-	-	-
7 ports	UPort 207	-	-	-	-	-	-
	UPort 407	-	-	-	-	-	-
8 ports	UPort 1610-8	✓	✓	✓	✓	✓	✓
	UPort 1650-8	✓	✓	✓	✓	✓	✓
16 ports	UPort 1610-16	✓	✓	✓	✓	✓	✓
	UPort 1650-16	✓	✓	✓	✓	✓	✓