

ET5200PpH-DR

Hardened IP CCTV Self-Configured 5-port 10/100/1000Base-T (4-port PoE+) Ethernet Switch

IP CCTV Self-Configured PoE Switches

PoE Switches



Features

General

- ▶ 5 10/100/1000Base-TX
- ▶ Automatically support IGMP (Multicasting)
- ▶ 10/100/1000Mbps RJ45 Port Supports Full/Half-duplex, Auto-negotiation, Auto MDI/MDIX
- ▶ Supports IEEE 802.3at PoE+(30W per port)
- ▶ Supports Light Hardware IGMP V1, V2, V3
- ▶ Supports 802.3x Flow control
- ▶ Supports Broadcast Storm Control
- ▶ 1M bits frame buffer memory
- ▶ 9K Bytes Jumbo Frame
- ▶ Supports Relay output for Power failure and port failure alarm
- ▶ Redundant Power Inputs
- ▶ Supports Wall-mount and DIN-Rail installation
- ▶ -40°C to 75°C (-40°F to 167°F) operating temperature

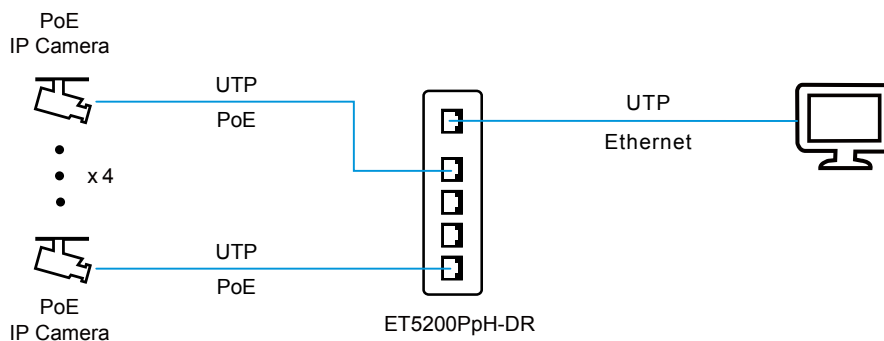
Warranty

- ▶ 5-Year Warranty

Ordering Information

Model	Description
ET5200PpH-DR	Hardened IP CCTV Self-Configured 5-port 10/100/1000Base-T (4-port PoE+) Ethernet Switch
Mounting Options	■ Default DIN-Rail Bracket installed, Wall Mount Bracket is included.
Power Options	■ For available power supply selection, please refer to Power Supply information page in the catalogue or our website www.ot-systems.com for details. ■ Power Supply is to be purchased separately.

Typical Application



Specifications

Ethernet

Standards:	IEEE802.3 10Base-T
	IEEE802.3u 100Base-TX
	IEEE802.3ab 1000Base-T
	IEEE802.3z 1000Base-X
	IEEE802.3af Power over Ethernet
	IEEE802.3at Power over Ethernet
Forward & Filtering Rate:	14,880pps (10Mbps)
	148,800pps (100Mbps)
	1,488,000pps (1000Mbps)
Packet Buffer Memory:	1M bits
Processing Type:	Store-and-Forward
Max Packet Length:	9K Bytes
Address Table Size:	2048K MAC Addresses

Interface

Connector:	5xRJ45
------------	--------

Regulatory Approvals

ISO9001
 EN55022:2010+AC: 2011, Class A
 EN 61000-3-2: 2006+A1: 2009+A2: 2009
 EN 61000-3-3: 2013
 EN55024:2010
 IEC 61000-4-2: 2008 (ESD)
 IEC 61000-4-3: 2010 (RS)
 IEC 61000-4-4: 2012 (EFT)
 IEC 61000-4-5: 2014 (Surge)
 IEC 61000-4-6: 2013 (CS)
 IEC 61000-4-8: 2009 (PFMF)

Electrical and Mechanical

Input Power:	48-57VDC, Redundant Power (6-pin Terminal Block)
Power Consumption:	Max 5W (PoE not in use) Max 125W (PoE in use)
LED Indicators:	
Power:	Power1, Power2 Status
Ethernet(Per Port):	Link/Active
PoE:	Per Port Status
Dimensions (WxDxH):	148 x 120 x 31mm
Weight:	0.5Kg
Casing:	Aluminum Case
Mounting Options:	DIN-Rail / Wall Mount

Environmental

Operating Temperature:	-40°C to 75°C (-40°F to 167°F)
Storage Temperature:	-40°C to 85°C (-40°F to 185°F)
Relative Humidity:	5% to 95% non-condensing
MTBF:	> 200,000 hrs



OT Systems Ltd., May 2015

Due to continuous improvement, all product specifications are subject to change without further notice.

