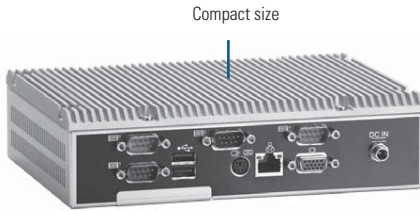


# eBOX647-FL

Fanless Embedded System with VIA C7 Processor 1.5 GHz for Gaming Management System



▲ Front view



## Specifications

Standard Color	Silver-Black
Construction	Aluminum extrusion and heavy-duty steel, IP30
CPU	VIA C7 1.5 GHz processor
System Memory	1 x 200-pin DDR2 SO-DIMM max. up to 1 GB
Chipset	VIA CX700M + ITE8888G
BIOS	Phoenix-Award 4Mbit with RPL/PXE LAN Boot ROM, SmartView and customer CMOS backup
System I/O Outlet	1 x RS-232/422/485 (COM 1) 3 x RS-232 (COM 2/3/4) 1 x VGA 1 x PS/2 keyboard/mouse through Y-type cable 2 x USB 2.0 1 x 10/100Mbps Ethernet (Realtek RTL8139DL) 1 x LPT 1 x VDC power input connector 1 x Audio (Mic-in/Line-in/Line-out)
Watchdog Timer	255 level, 1 ~ 255 sec.
Storage	1 x CompactFlash™ slot
Expansion Interface	N/A
System Indicator	1 x green LED for system Power-on 1 x orange LED for HDD active
Power Supply	Input: AC 90 ~ 264V screw type AC 60W adapter Output: DC 12V @ 5A
Operating Temperature	0°C ~ +50°C (32°F ~ 122°F) (with W.T. CF)
Storage Temperature	-20°C ~ +80°C (-4°F ~ +176°F)
Humidity	10% ~ 90%, non-condensing
Vibration Endurance	2 Grms with CF (5 ~ 500 Hz, X, Y, Z directions)
Dimensions	200 mm (7.87") (W) x 150 mm (5.90") (D) x 52.8 mm (2.07") (H)
Weight (net/gross)	1.5 kg (3.3 lb) / 2.6 kg (5.73 lb)
Certificate	CE
EOS Support	XPE, WinCE, Linux, WES

## Packing List

- 1 x quick manual
- 1 x driver CD
- 1 x Y cable for PS/2 keyboard/mouse
- 1 x screw pack
- 4 x foot pad
- 1 x power adapter

## Features

- VIA C7 1.5 GHz processor onboard
- VIA CX700M + ITE8888G
- Fanless operation
- Full feature I/O
- Accessible RAM & CF door for convenient assembly
- Best suited for gaming management system



▲ Rear view

## Power Protection

### AC Version

- OVP (over voltage protection)
- OCP (over current protection)
- SCP (short circuit protection)

## Ordering Information

### Standard

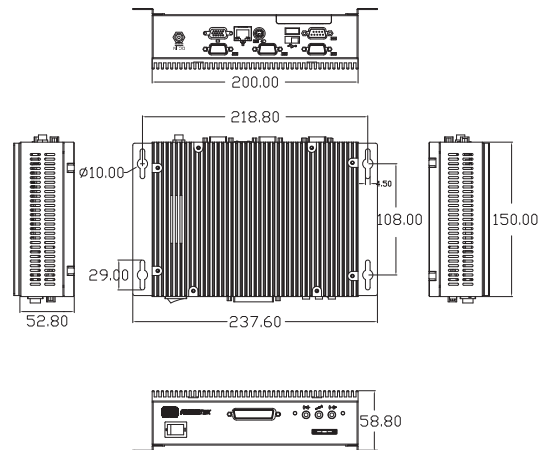
eBOX647-FL1.5G	Fanless embedded system with VIA C7 1.5 GHz processor, 60W AC/DC adapter
----------------	--

### Optional

DDR2 SODIMM	256 MB ~ 1 GB
CompactFlash™	256 MB or above
DIN rail kit	
Wall mount kit	
Power cord	

\*Specifications and certifications are based on options and may vary.

## Dimensions



\* All specifications and photos are subject to change without notice.

