

IPC922-212-FL

2-slot Fanless System with Intel® Atom™ Processor D525 (up to 1.8 GHz), Intel® ICH8M Chipset, PCIe & PCI Slots

Wall mount bracket supported



Rich I/O

Phoenix plug for DC version

Din-jack (screw type) for AC version

Features

- Intel® Atom™ processor D525 (up to 1.8 GHz)
- Fanless & ventilation-free
- Intel® ICH8M chipset
- Supports 2 expansion slots
- DC to DC power supply supports 18 ~ 28V
- Compact & front I/O design



▲ Rear view



Specifications

Standard Color	Sliver
Construction	Aluminum extrusion heavy-duty cold-rolled steel
System Board	SHB212VGA
Processor	CPU Level Intel® Atom™ processor D525
System	Max. Speed 1.8 GHz
	Front Side Bus N/A
	Chipset Intel® ICH8M
System Memory	1 x 204-pin DDR3 800 SO-DIMM socket, up to 4 GB
I/O Interface (Front)	ATX power on/off switch 1 x remote power on/off switch 6 x USB 2.0 3 x RS-232 (COM 2/3/4) 1 x RS-232/422/485 (COM 1) 1 x 10/100/1000Mbps Ethernet 1 x VGA

Expansion Interface	HAB100: 1 PCIe x1 & 1 PCIe x4 HAB103: 1 PCI & 1 PCIe x4
Storage	1 x 2.5" SATA HDD 1 x onboard CompactFlash™ socket
System Indicators	1 x power on/off, 1 x HDD
Power Supply	DC ATX 120W: Input : 18~28VDC Output: +5V @ 6A, +3.3V @ 5A, +12V @ 5A, -12V @ 0.1A, 5Vsb @ 2.5A AC-DC power adapter: Input: 100~240VAC Output: +19V @ 4.74A
Operation Temperature	0°C ~ +45°C (32°F ~ 113°F)
Storage Temperature	-20°C ~ +80°C (-4°F ~ +176°F)
Humidity	10% ~ 90%, non-condensing
Dimensions	118 mm (4.6") (W) x 248 mm (9.8") (D) x 185 mm (7.3") (H)
Weight (net/gross)	4.22 kg (9.28 lb)/5.3 kg (11.68 lb)
Certification	CE

Ordering Information

IPC922-212-FL-HAB103-AC (P/N: E26G922100)	2-slot fanless system with Intel® Atom™ Processor D525, PCI & PCIe slots, DC-in ATX 120W P/S and AC-DC 90W power adaptor and US power cord
IPC922-212-FL-HAB103-DC (P/N: E26G922101)	2-slot fanless system with Intel® Atom™ Processor D525, PCI & PCIe slots, DC-in ATX 120W P/S

*Specifications and certifications are based on options and may vary.

Power Protection

AC Version

OVP (over voltage protection)
OCP (over current protection)
SCP (short circuit protection)

DC Version

SCP (short circuit protection)
OVP (over voltage protection)
OLP (over load protection)

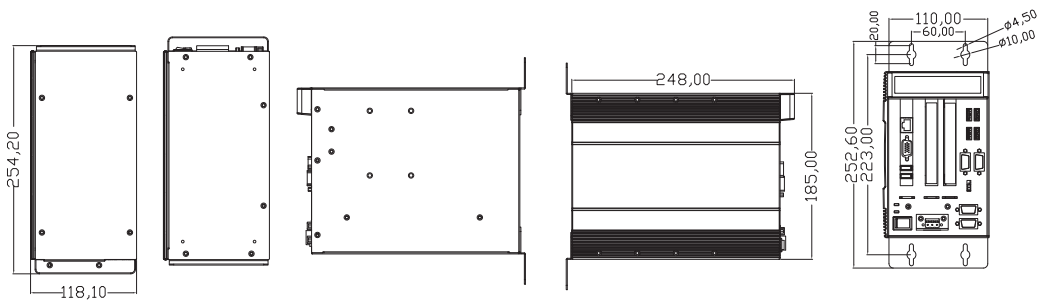
Optional Items

AX93221-18/36: DVI card
40P-40P LVDS cable
DVI bracket for AX93221
2.5" SATA HDD: 250 GB, 320 GB, 500 GB
DDR3 SO-DIMM: 2 GB, 4 GB

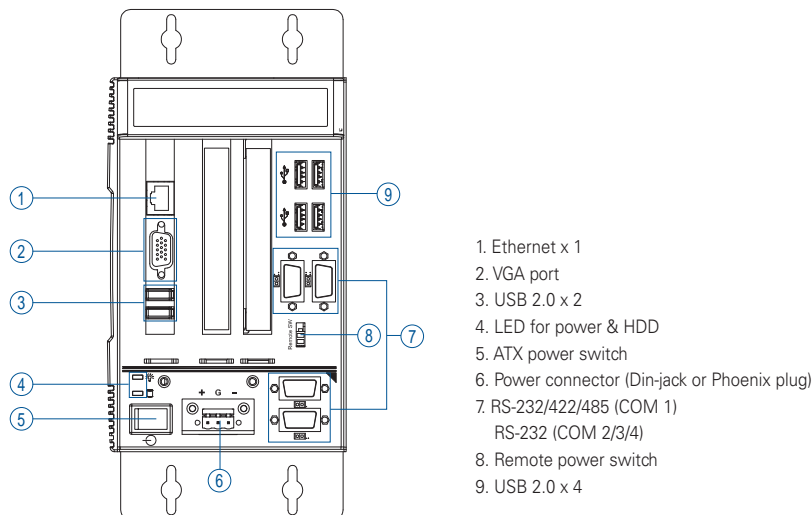
Packing List

19V 90W adaptor and US power cord (for AC version)
Drive CD
Quick manual
Wall mount bracket x 2
Foot pad x 4
HDD bracket x 1
Screw pack x 1
Terminal Block x 1 (for DC version)
Remote power switch cable x 1

Dimensions



Front & Rear Metal Panel I/O Layout



Overview

Embedded Systems

Embedded Systems for Transportation

Embedded Field Controllers

Industrial Firewall

Embedded MicroBoxes

Industrial Barebone Systems

Industrial Chassis

Backplanes

Power Supplies

Peripherals & Accessories

6

Industrial Barebone Systems

