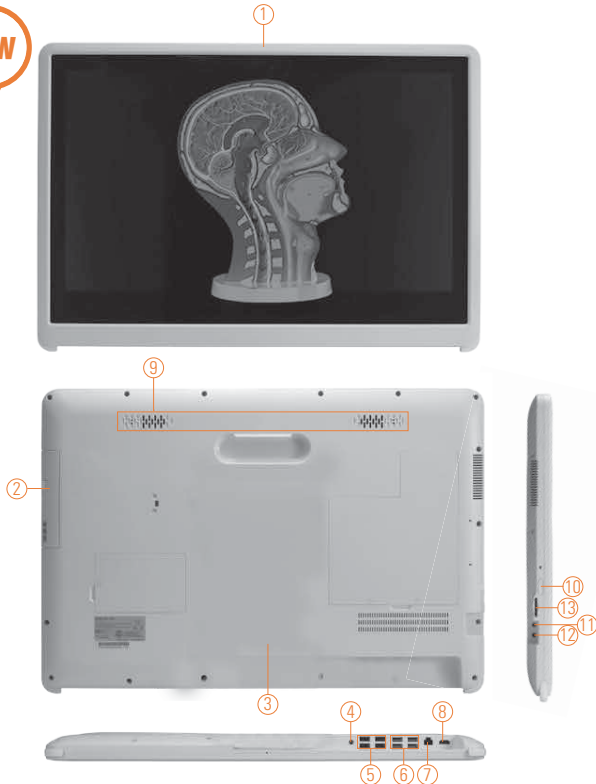


MPC240

24" FHD TFT Medical Grade Panel Computer with 4th Generation Intel® Core™ i7/i5/i3, Celeron® & Pentium® Mobile Processor

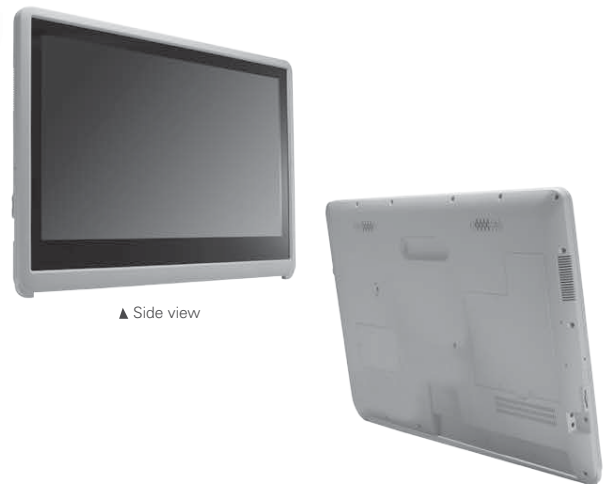
NEW



- | | | |
|-----------------------|---------------------|---------------------|
| 1. Camera | 6. USB 3.0 x 4 | 11. Earphone jack |
| 2. Optical disc drive | 7. RJ-45 port | 12. Microphone jack |
| 3. Cable tie slot | 8. HDMI output port | 13. Card reader |
| 4. DC-in jack | 9. Speakers | |
| 5. USB 2.0 x 4 | 10. Power button | |

Features

- 24" FHD TFT LCD display with LED backlight
- Socket G3 4th generation Intel® Core™ i7/i5/i3, Celeron® & Pentium® Mobile Processor
- EN60601-1 and CE certified
- Spill-proof front panel design
- Supports 10-point multi-touch screen
- Antimicrobial enclosure
- Ultra slim and super lightweight design
- Supports optional wall mount, VESA mount and desktop stand



Introduction

The MPC240 is an Intel® Core™-based 24-inch medical grade touch panel computer which is well-suited for applications like medical image processing and medical measuring instrument. Especially designed for the medical & healthcare environment, the 10-point touchscreen medical panel PC is front panel spill-proof design which protects the entire system from outside liquid, preventing system from crashing. In response to market demand, this 24" medical panel computer is a cost-effective solution.

Super slim & ultra lightweight design

The Axiomtek MPC240 is a super slim 24-inch touch panel PC for space-limited healthcare environment with its thickness of 35.5 mm and weight of 6.2 kg only, which make it installed everywhere. Besides, it provides medical grade AC power adapter.

Built-in internal WLAN

The stylish MPC240 provides a PCIe Mini Card slot and a built-in WLAN antenna for wireless network connections. By simply plugging in the wireless LAN card, customers can use the 24-inch medical computer in a wireless LAN/GPRS/GSM/4G environment.

Certifications

This 24" multi-touch medical panel platform complies with EN60601 and CE certifications to ensure medical operation safety.

Specifications

Front Bezel	Spill-proof		
LCD Panel	Display Type	24" FHD TFT LCD with LED backlight	
	Brightness (cd/m ²)	250 nits	
	Resolution	1920 x 1080	
Main System	CPU	Socket G3 4th generation Intel® Core™ i7/i5/i3, Celeron® & Pentium® mobile processor	
	System Memory	2 x 204-pin DDR3L 1600 MHz SO-DIMM max. up to 16 GB, 8 GB for each socket	
	BIOS	AMI BIOS	
	Storage	1 x 2.5" SATA HDD	
		1 x M2-SATA SSD (M2 Type, 2242)	
	Optical Drive	1 x Super Multi drive (optional)	
	Watchdog Timer	255 levels, 0-255 sec.	
	Onboard Graphics	Integrated in Intel® GFX	



Specifications

I/O Connector	4 x USB 3.0 4 x USB 2.0 1 x line out 1 x mic-in 1 x RJ-45 jack 1 x DC-in jack 1 x HDMI
Expansion Interface	1 x SDXC card reader slot 1 x Mini Card slot for Wi-Fi
Audio	2 x 1.5 KHz speaker/70dB 1 x microphone
Camera	1 x 2M pixels webcam
Sensor	1 x proximity sensor
Touch Screen	Projected capacitive multi-touch 10-point
Power Supply	1. 100V-240V, 135W medical grade power adapter 2. Built-in UPS battery (optional)
Dimensions	610 mm (24.01") (W) x 35.5 mm (1.40") (D) x 415 mm (16.34") (H)
Packing Dimensions	780 mm (30.71") (W) x 160 mm (6.30") (D) x 530 mm (20.87") (H)
Weight(net/gross)	6.2 kg (13.66 lb)/9 kg (19.84 lb)
Environment	Operating temperature: 5°C ~ +40°C (+13°F ~ +104°F) Storage temperature: -30°C ~ +60°C (-22°F ~ +140°F) Relative humidity: 10%~90% @ 40°C; non-condensing
Certificate	CE, EN60601-1

Ordering Information

MPC240	22" FHD medical touch panel computer with Intel® Core™ processor, projected capacitive multi-touch screen, AC-DC 135W medical grade power adapter (screw type connector), EMI class B and EN60601-1 certified
--------	---

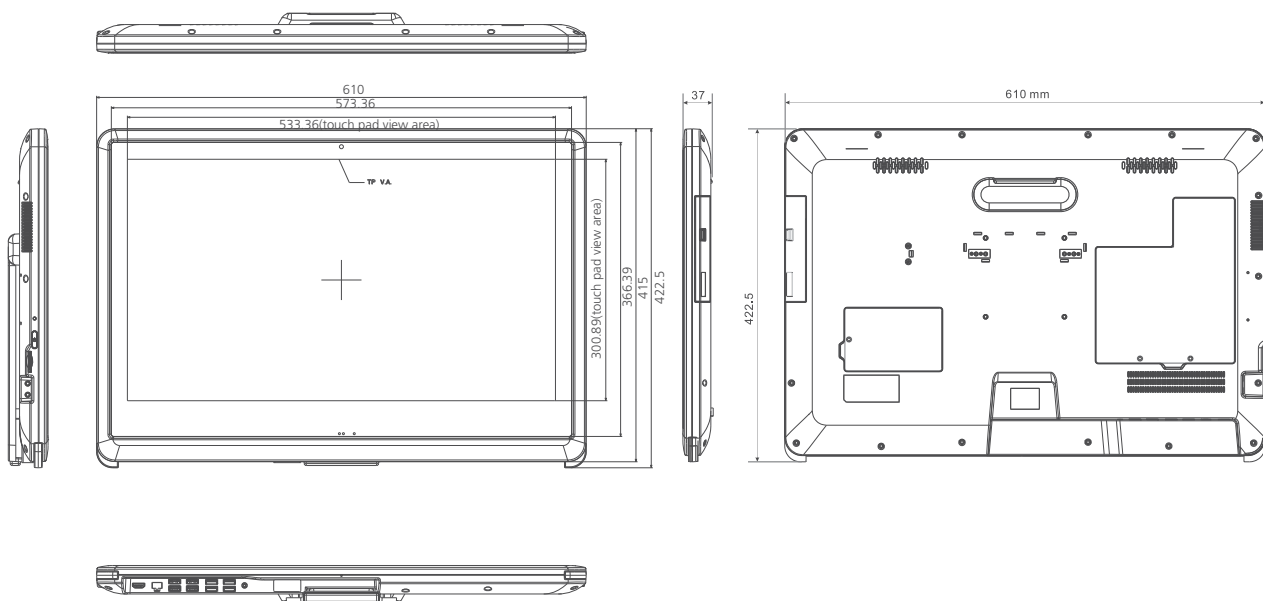
* Specification and certifications are based on options and may vary.

Optional OS Installation

Windows® 7

Windows® 8.1

Dimensions



Overview

Fanless Touch Panel Computers

Heavy-duty Fanless Touch Panel Computers

Industrial Touch Panel Computers

Industrial Touch panel Monitors

Infotainment Touch Panel Computers

6
Healthcare & Medical Solutions

Open Frame Panel Computers

Accessories

