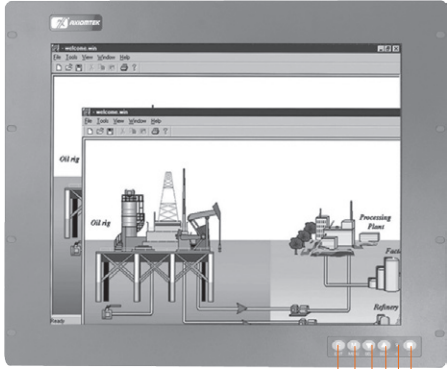
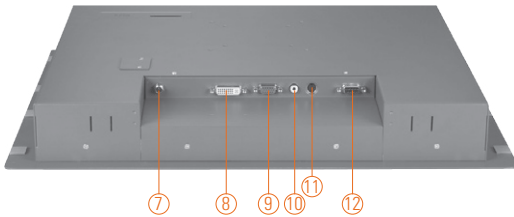


# P6192

19" SXGA TFT Industrial LCD Monitor



1. Exit
2. Menu
3. SEL-
4. SEL+
5. Power LED
6. Power switch



- |                         |              |
|-------------------------|--------------|
| 7. DC power input       | 10. Video    |
| 8. DVI (Only for DVI-D) | 11. S-video  |
| 9. VGA                  | 12. T/S port |



▲ Side view

## Features

- 19" TFT 350 nits SXGA LCD
- NEMA 4/12 (IP65)- compliant panel mounting flat panel monitor
- Resistive touchscreen
- Supports full range screw-type (locked) AC-in or 24V DC-in (option)
- Supports multi-signal inputs: VGA, S-video, Video and DVI-D
- Supports panel mount, wall mount, rack mount and VESA arm

## Introduction

The P6192 is an slim industrial LCD monitor, which adopts 19-inch 350 nits high brightness SXGA LCD display and supports multi-signal interfaces including DVI, VGA, S-Video, Video. Featuring NEMA 4/12 & IP65 compliant front bezel, screw-type adaptor plug design, and 12/24V DC-In means it is fit for all kinds of industrial environments. Moreover, the P6192 supports panel mount, wall mount, rack mount or VESA FPMPMI mounting (Video Electronics Standards Association Flat Panel Monitor Physical Mounting Interface). With the compact mechanism design, users can enjoy free from space constraint. It is especially suitable for POI/POS, media-display applications and all kinds of heavy-duty industrial fields.

## Specifications

Front Bezel	NEMA 4/12 (IP65)-compliant, metal front bezel	
Mounting	Panel mount, wall mount, rack mount and VESA arm FPMPMI mounting (video electronics standards association Flat Panel monitor physical mounting interface)	
LCD Panel	Display Type	19" TFT SXGA LCD
	Max. Resolution	1280 x 1024
	Max. Colors	16.7M
	Active Area (mm)	376.32 x 301.06
	Pixel Pitch (mm)	0.294 x 0.294
	Response Time	5 ms
	Backlight	LED
	Backlight MTBF	50,000 hrs
	Viewing Angle (H/V)	170°/160°
	Contrast Ratio	1000 (TYP.)
Brightness (cd/m <sup>2</sup> )	350 nits	
Display Control	OSD (on screen display)	
Display Mode	VGA 640 x 350 (70Hz), VGA 640 x 480 (60/72/75Hz), VGA 720 x 400 (70Hz), SVGA 800 x 600 (60/72/75Hz), XGA 1024 x 768 (60/72/75Hz), SXGA 1280 x 1024 (60/72/75Hz)	



## Specifications

Input Signal	VGA Video: R.G.B Analog 0.7v Peak-to-Peak DVI (Only for DVI-D) Touchscreen: Serial RS-232 or USB Video (optional) S-video (optional)	
I/O Connectors	1 x RS-232 or USB for touchscreen version 1 x VGA input 1 x RCA for video (optional) 1 x S-Video for video (optional) 1 x DVI (Only for DVI-D) 1 x Screw type or Phoenix type power input	
Power Adapter	Screw-type external AC/DC power adapter	
Touchscreen	Thickness	Resistive: 3.2 mm
	Light Transmission	Resistive: 80%
	Power Consumption	Resistive: +5V@ 100mA
	Touch Life	Resistive: 35million touches Controller interface: RS-232 D-Type 9-pin male connector or USB connector
Dimensions	482 mm (18.97") (W) x 59.5 mm (2.34 ) (D) x 399 mm (15.7") (H)	
Packing Dimensions	610 mm (24.02") (W) x 260 mm (10.24") (D) x 590 mm (23.23") (H)	
Weight (net/gross)	9.46 kg (20.86 lb)/13.5 kg (29.76 lb)	
Environment	Operating temperature: 0° ~ +55°C (+32°F ~ +131°F) Storage temperature: -20°C ~ +60°C (-4°F ~ +140°F) Relative humidity: 20%~90%@40°C, non-condensing	
Certificate	CE	

## Ordering Information

P6192 (Inputs include: VGA, DVI, RCA, S-Video)		
AC Power	Panel Mount Monitor	
	Resistive (RS-232)	P6192PR-AC-RS-V3-RC-US-EU
	Resistive (USB)	P6192PR-AC-U-V3-RC-US-EU
24VDC Power	Panel Mount Monitor	
	Resistive (RS-232)	P6192PR-24VDC-RS-V3-RC
	Resistive (USB)	P6192PR-24VDC-U-V3-RC
	Glass	P6192PG-AC-V3-RC-US-EU

P6192L (Input: VGA and DVI only)		
AC Power	Panel Mount Monitor	
	Resistive (RS-232)	P6192LPR-AC-RS-V3-RC-US-EU
	Resistive (USB)	P6192LPR-AC-U-V3-RC-US-EU
24VDC Power	Panel Mount Monitor	
	Resistive (RS-232)	P6192LPR-24V-DC-RS-V3-RC
	Resistive (USB)	P6192LPR-24V-DC-U-V3-RC
	Glass	P6192LPG-AC-V3-RC-US-EU

\* Specification and certifications are based on options and may vary.

## Optional Accessories

ARM-VM-101	VESA ARM (clamp type)
ARM-VM-105	VESA ARM (wall mount type)
Wall mounting & desktop stand	



▲ Stand kit



▲ Various mounting ways Panel/ Wall/ VESA



▲ Screw-type power input



▲ Phoenix-type power input

## Dimensions

