



POWER SUPPLY

- 100-240V Wide Range Input
- NEC Class 2 Compliant
- Adjustable Output Voltage
- Efficiency up to 89.4%
- Compact Design, Width only 22.5mm
- Full Power between -10°C and +60°C
- Large International Approval Package
- 3 Year Warranty

GENERAL DESCRIPTION

A compact size, light weight, simple mounting onto the DIN-rail and the utilization of only quality components are what makes the MiniLine power supplies so easy to use and install within seconds.

The rugged electrical and mechanical design as well as a high immunity against electrical disturbances on the mains provides reliable output power. This offers superior protection for equipment which is connected to the public mains network or is exposed to a harsh industrial environment.

The MiniLine series offers output voltages from 5 to 56Vdc and a power rating from 15W to 120W.

The supplementary MiniLine redundancy module MLY10.241 allows building of redundant systems or to protect against back-feeding voltages.

SHORT-FORM DATA

| | | |
|-------------------|----------------------------|--|
| Output voltage | DC 24V | |
| Adjustment range | 24 - 28V | |
| Output current | 1.3A at 24V 1.1A at 28V | |
| Output power | 30W | |
| Output ripple | < 50mVpp | 20Hz to 20MHz |
| Input voltage | AC 100-240V | -15% / +10% |
| Mains frequency | 50-60Hz | ±6% |
| AC Input current | 0.54 / 0.3A | at 120 / 230Vac |
| Power factor | 0.52 / 0.49 | at 120 / 230Vac |
| AC Inrush current | typ. 18 / 35A | peak value at 120 / 230Vac 40°C and cold start |
| DC Input | 88-375Vdc | below 110Vdc derating required |
| Efficiency | 88.5 / 89.4% | at 120 / 230Vac |
| Losses | 4.1 / 3.7W | at 120 / 230Vac |
| Temperature range | -10°C to +70°C | operational |
| Derating | 0.8W/°C | +60 to +70°C |
| Hold-up time | typ. 31 / 141ms | at 120 / 230Vac |
| Dimensions | 22.5x75x91mm | WxHxD |
| Weight | 140g / 0.31lb | |

ORDER NUMBERS

| | | |
|--------------|-----------------|----------------------|
| Power Supply | ML30.241 | 24-28V Standard unit |
| Accessory | MLY10.241 | Redundancy module |

MARKINGS



UL 508

CB Report Available

IEC 60950-1



UL 60950-1

NEC CLASS 2



Class I Div 2



INDEX

| | Page | | Page |
|---|------|---|------|
| 1. Intended Use | 3 | 19. Regulatory Compliance | 17 |
| 2. Installation Instructions | 3 | 20. Physical Dimensions and Weight | 18 |
| 3. AC-Input..... | 5 | 21. Accessory..... | 19 |
| 4. Input Inrush Current | 6 | 21.1. MLY10.241 - Redundancy Module..... | 19 |
| 5. Output | 7 | 22. Application Notes..... | 20 |
| 6. Hold-up Time..... | 8 | 22.1. Peak Current Capability | 20 |
| 7. DC-Input..... | 8 | 22.2. Back-feeding Loads | 20 |
| 8. Efficiency and Power Losses..... | 9 | 22.3. Charging of Batteries | 21 |
| 9. Functional Diagram..... | 10 | 22.4. External Input Protection | 21 |
| 10. Front Side and User Elements..... | 10 | 22.5. Parallel Use to Increase Output Power.... | 21 |
| 11. Terminals and Wiring..... | 11 | 22.6. Parallel Use for Redundancy | 22 |
| 12. Lifetime Expectancy and MTBF..... | 11 | 22.7. Inductive and Capacitive Loads..... | 22 |
| 13. EMC..... | 12 | 22.8. Series Operation | 22 |
| 14. Environment | 13 | 22.9. Operation on Two Phases | 23 |
| 15. Protection Features | 14 | 22.10. Use Without PE on the Input | 23 |
| 16. Safety Features | 14 | 22.11. Use in a Tightly Sealed Enclosure | 24 |
| 17. Dielectric Strength | 15 | 22.12. Mounting Orientations | 25 |
| 18. Approvals and Fulfilled Standard..... | 16 | | |

The information presented in this document is believed to be accurate and reliable and may change without notice.

The housing is patent by PULS (US patent No US D442,923S).

No part of this document may be reproduced or utilized in any form without permission in writing from the publisher.

TERMINOLOGY AND ABBREVIATIONS

| | |
|--|---|
| PE and \oplus symbol | PE is the abbreviation for Protective Earth and has the same meaning as the symbol \oplus . |
| Earth, Ground | This document uses the term "earth" which is the same as the U.S. term "ground". |
| T.B.D. | To be defined, value or description will follow later. |
| AC 230V | A figure displayed with the AC or DC before the value represents a nominal voltage with standard tolerances (usually $\pm 15\%$) included. E.g.: DC 12V describes a 12V battery disregarding whether it is full (13.7V) or flat (10V) |
| 230Vac | A figure with the unit (Vac) at the end is a momentary figure without any additional tolerances included. |
| 50Hz vs. 60Hz | As long as not otherwise stated, AC 100V and AC 230V parameters are valid at 50Hz and AC 120V parameters are valid at 60Hz mains frequency. |
| may | A key word indicating flexibility of choice with no implied preference. |
| shall | A key word indicating a mandatory requirement. |
| should | A key word indicating flexibility of choice with a strongly preferred implementation. |

1. INTENDED USE

This device is designed for installation in an enclosure and is intended for the general use such as in industrial control, office, communication, and instrumentation equipment.

Do not use this power supply in equipment, where malfunction may cause severe personal injury or threaten human life.

2. INSTALLATION INSTRUCTIONS

WARNING Risk of electrical shock, fire, personal injury or death.

- Turn power off before working on the device and protect against inadvertent re-powering.
- Do not open, modify or repair the device.
- Use caution to prevent any foreign objects from entering into the housing.
- Do not use in wet locations or in areas where moisture or condensation can be expected.
- Do not touch during power-on, and immediately after power-off. Hot surface may cause burns.

Obey the following installation instructions:

This device may only be installed and put into operation by qualified personnel.

This device does not contain serviceable parts. The tripping of an internal fuse is caused by an internal defect.

If damage or malfunction should occur during installation or operation, immediately turn power off and send unit to the factory for inspection.

Install device in an enclosure providing protection against electrical, mechanical and fire hazards.

Install the device onto a DIN-rail according to EN 60715 with the input terminals on the bottom of the device. Other mounting orientations require a reduction in output current.

Make sure that the wiring is correct by following all local and national codes. Use appropriate copper cables that are designed for a minimum operating temperature of 60°C for ambient temperatures up to +45°C, 75°C for ambient temperatures up to +60°C and 90°C for ambient temperatures up to +70°C. Ensure that all strands of a stranded wire enter the terminal connection. Unused screw terminals should be securely tightened.

The device is designed for pollution degree 2 areas in controlled environments. No condensation or frost is allowed.

The housing of the device provides a degree of protection of IP20. The housing does not provide protection against spilled liquids.

The isolation of the device is designed to withstand impulse voltages of overvoltage category III according to IEC 60664-1.

The device is designed as "Class of Protection" I equipment according to IEC 61140. Do not use without a proper PE (Protective Earth) connection.

The device is suitable to be supplied from TN, TT or IT mains networks. The continuous voltage between the input terminal and the PE potential must not exceed 300Vac.

The input can also be powered from batteries or similar DC sources. The continuous voltage between the supply voltage and the PE/ground potential must not exceed 375Vdc. Connect the +pole to L and the -pole to the N terminal.

A disconnecting means shall be provided for the input of the device.

The device is designed for convection cooling and does not require an external fan. Do not obstruct airflow and do not cover ventilation grid!

The device is designed for altitudes up to 5000m (16400ft). Above 2000m (6560ft) a reduction in output current and over voltage category is required.

Keep the following minimum installation clearances: 40mm on top, 20mm on the bottom, 0mm left and right side. Increase the 0mm to 15mm in case the adjacent device is a heat source.

The device is designed, tested and approved for branch circuits up to 20A without additional protection device. If an external fuse is utilized, do not use circuit breakers smaller than 6A B- or 3A C-Characteristic to avoid a nuisance tripping of the circuit breaker.

The maximum surrounding air temperature is +70°C (+158°F). The operational temperature is the same as the ambient or surrounding air temperature and is defined 2cm below the device.

The device is designed to operate in areas between 5% and 95% relative humidity.

Installation Instructions for Hazardous Location Areas

The device is suitable for use in Class I Division 2 Groups A, B, C, D locations.

Substitution of components may impair suitability for this environment.

Do not disconnect the device or operate the voltage adjustment unless power has been switched off or the area is known to be non-hazardous.

3. AC-INPUT

| | | | |
|---------------------------------|------|-------------------------|--------------------------------|
| AC input | nom. | AC 100-240V | -15% / +10%, TN/TT/IT-mains |
| AC input range | | 85-264Vac 264-300Vac | continuous operation < 0.5s |
| Allowed voltage L or N to earth | max. | 264Vac or 375Vdc | |
| Input frequency | nom. | 50-60Hz | ±6% |
| Turn-on voltage | typ. | 46Vac | see Fig. 3-1 |
| Shut-down voltage | typ. | 44Vac | see Fig. 3-1 |

| | | AC 100V | AC 120V | AC 230V | |
|---------------------|------|----------|----------|----------|---------------------------------|
| Input current (rms) | typ. | 0.63A | 0.54A | 0.3A | at 24V, 1.3A see Fig. 3-3 |
| Power factor *) | typ. | 0.55 | 0.52 | 0.49 | at 24V, 1.3A see Fig. 3-4 |
| Crest factor **) | typ. | 3.1 | 3.3 | 3.9 | at 24V, 1.3A |
| Start-up delay | typ. | 90ms***) | 90ms***) | 90ms***) | see Fig. 3-2 |
| Rise time | typ. | 40ms | 40ms | 40ms | at 24V, 1.3A, 0mF, see Fig. 3-2 |
| | typ. | 90ms | 90ms | 100ms | at 24V, 1.3A, 1.3mF |
| Turn-on overshoot | max. | 250mV | 250mV | 250mV | see Fig. 3-2 |

*) The power factor is the ratio of the true (or real) power to the apparent power in an AC circuit.

**) The crest factor is the mathematical ratio of the peak value to RMS value of the input current waveform.

***) At low temperatures, start-up attempts may occur which extends the start-up delay

Fig. 3-1 Input voltage range

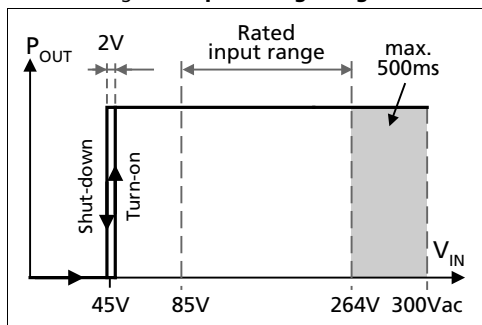


Fig. 3-2 Turn-on behavior, definitions

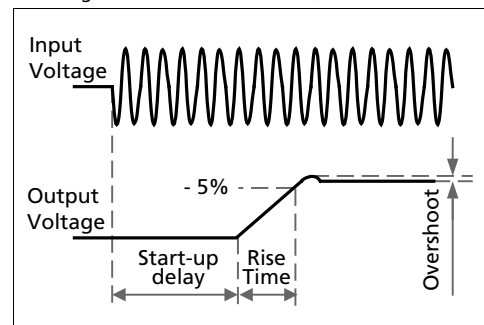


Fig. 3-3 Input current vs. output load at 24V

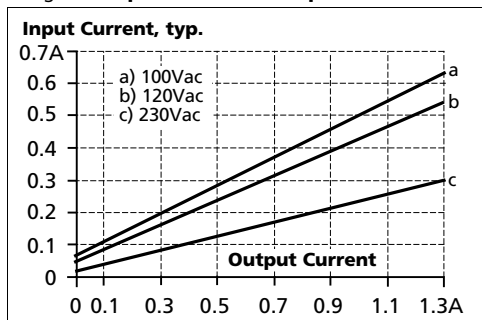
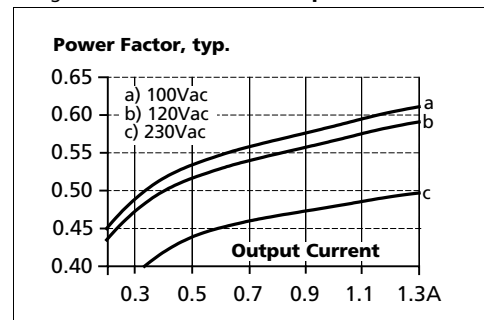


Fig. 3-4 Power factor vs. output load at 24V



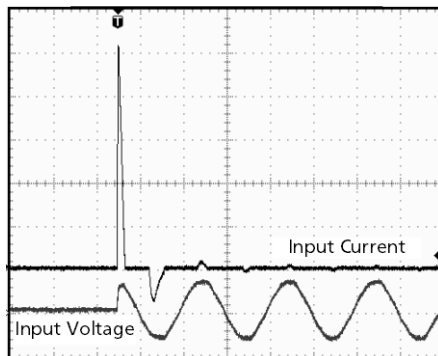
4. INPUT INRUSH CURRENT

A NTC limits the input inrush current after turn-on of the input voltage. The inrush current is input voltage and ambient temperature dependent.

The charging current into EMI suppression capacitors is disregarded in the first microseconds after switch-on.

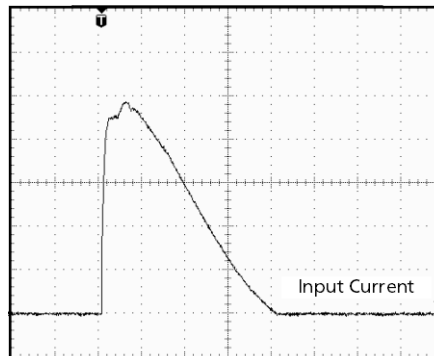
| | | AC 100V | AC 120V | AC 230V | |
|----------------|------|----------------------|---------------------|---------------------|--------------------------|
| Inrush current | max. | 19A _{peak} | 22A _{peak} | 44A _{peak} | 40°C ambient, cold start |
| | typ. | 15A _{peak} | 18A _{peak} | 35A _{peak} | 40°C ambient, cold start |
| Inrush energy | typ. | 0.15A ² s | 0.2A ² s | 1.0A ² s | 40°C ambient, cold start |

Fig. 4-1 Input inrush current, typical behavior



Input: 230Vac
 Output: 24V, 1.3A
 Ambient: 25°C
 Upper curve: Input current 5A/DIV
 Lower curve: Input voltage 500V/DIV
 Time basis: 10ms / DIV

Fig. 4-2 Input inrush current, zoom into first peak



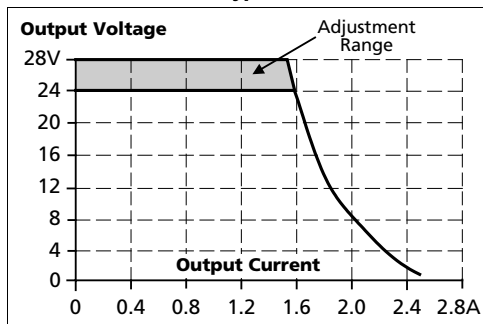
Input: 230Vac
 Output: 24V, 1.3A
 Ambient: 25°C
 Input current: 5A/DIV
 Time basis: 400µs / DIV

5. OUTPUT

| | | | |
|--------------------------|------|--------|--|
| Output voltage | nom. | 24V | |
| Adjustment range | | 24-28V | guaranteed |
| | max. | 30V *) | at clockwise end position of potentiometer |
| Factory setting | | 24.5V | ±0.2%, at full load, cold unit |
| Line regulation | max. | 10mV | 85-264Vac |
| Load regulation | max. | 100mV | static value, 0A → 1.3A |
| Ripple and noise voltage | max. | 50mVpp | 20Hz to 20MHz, 50Ohm |
| Output capacitance | typ. | 900µF | |
| Output current | nom. | 1.3A | at 24V, see Fig. 5-1 |
| | nom. | 1.1A | at 28V, see Fig. 5-1 |
| Output power | nom. | 30W | |
| Short-circuit current | min. | 1.9A | load impedance 800mOhm, see Fig. 5-1 |
| | max. | 2.9A | load impedance 800mOhm, see Fig. 5-1 |

*) This is the maximum output voltage which can occur at the clockwise end position of the potentiometer due to tolerances. It is not a guaranteed value which can be achieved. The typical value which can be achieved by turning the potentiometer to the clock-wise end position is 28.6V.

Fig. 5-1 **Output voltage vs. output current, typ.**



Peak current capability (up to several milliseconds)

The power supply can deliver a peak current which is higher than the specified short term current. This helps to start current demanding loads or to safely operate subsequent circuit breakers.

The extra current is supplied by the output capacitors inside the power supply. During this event, the capacitors will be discharged and causes a voltage dip on the output. Detailed curves can be found in chapter 22.1.

| | | | |
|---------------------------|------|-----------------|----------------------------------|
| Peak current voltage dips | typ. | from 24V to 16V | at 2.6A for 50ms, resistive load |
| | typ. | from 24V to 15V | at 6.5A for 2ms, resistive load |
| | typ. | from 24V to 10V | at 6.5A for 5ms, resistive load |

6. HOLD-UP TIME

| | | AC 100V | AC 120V | AC 230V | |
|--------------|------|---------|---------|---------|-----------------------------|
| Hold-up Time | typ. | 41ms | 66ms | 285ms | at 24V, 0.65A, see Fig. 6-1 |
| | typ. | 18ms | 31ms | 141ms | at 24V, 1.3A, see Fig. 6-1 |

Note: At no load, the hold-up time can be up to several seconds. The green DC-on lamp is also on during this time

Fig. 6-1 Hold-up time vs. input voltage

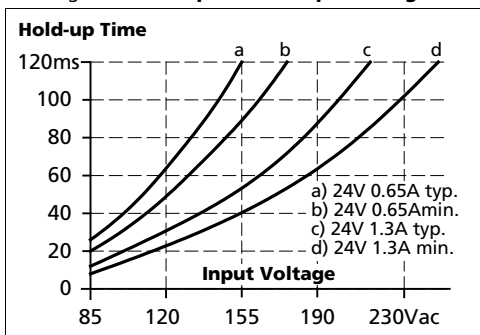
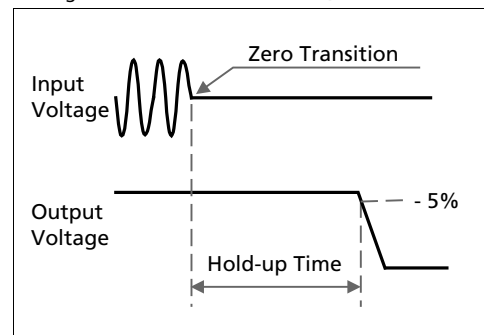


Fig. 6-2 Shut-down behavior, definitions



7. DC-INPUT

The power supply can also be supplied from a DC source. Use a battery or similar DC source. For other sources contact PULS. Connect the + pole to L and the - pole to N. Connect the PE terminal to an earth wire or to the machine ground.

| | | | |
|------------------------------|------|---------------|---|
| DC input | nom. | DC 110-300V | -20%/+25% |
| DC input range | | 88-375Vdc | continuous operation, reduce output power according Fig. 7-2 at voltages below 110Vdc |
| Allowed Voltage L/N to Earth | max. | 375Vdc | IEC 62103 |
| DC input current | typ. | 0.31A / 0.12A | 110Vdc / 300Vdc, at 24V, 1.3A |
| Turn-on voltage | typ. | 60Vdc | steady state value |
| Shut-down voltage | typ. | 35Vdc | steady state value |

Fig. 7-1 Wiring for DC Input

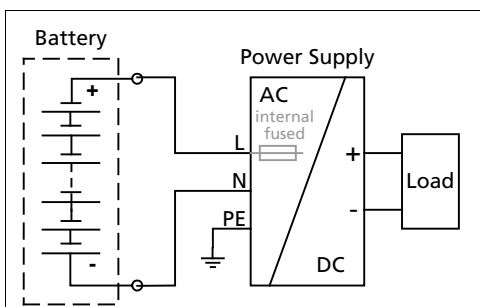
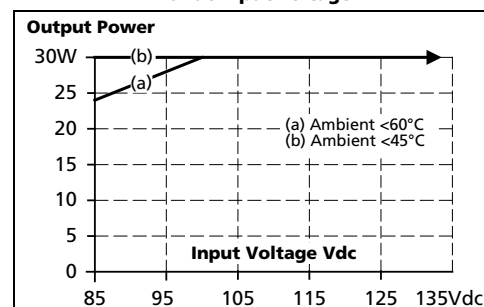


Fig. 7-2 Allowable output current below 110Vdc input voltage



8. EFFICIENCY AND POWER LOSSES

| | | AC 100V | AC 120V | AC 230V | |
|--------------|------|---------|---------|---------|---------------------------|
| Efficiency | typ. | 86.4% | 88.0% | 89.4% | at 24V, 1.3A (full load) |
| Power losses | typ. | 0.3W | 0.3W | 0.4W | at 0A |
| | typ. | 2.2W | 2.1W | 2.3W | at 24V, 0.65A (half load) |
| | typ. | 4.9W | 4.3W | 3.7W | at 24V, 1.3A (full load) |

Fig. 8-1 Efficiency vs. output current at 24V, typ.

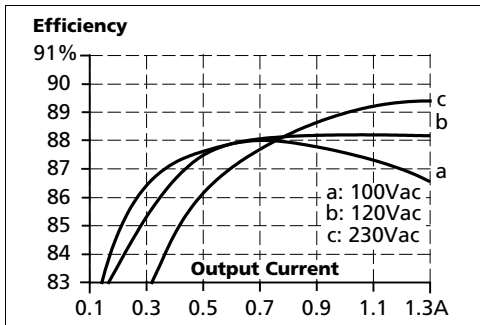


Fig. 8-2 Losses vs. output current at 24V, typ.

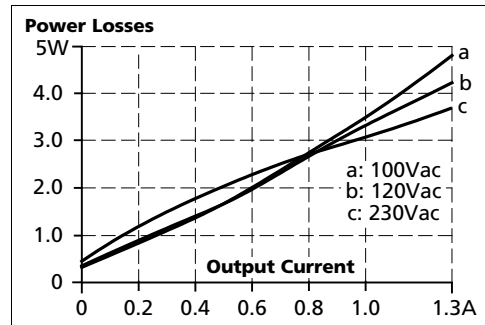


Fig. 8-3 Efficiency vs. input voltage at 24V, 1.3A, typ.

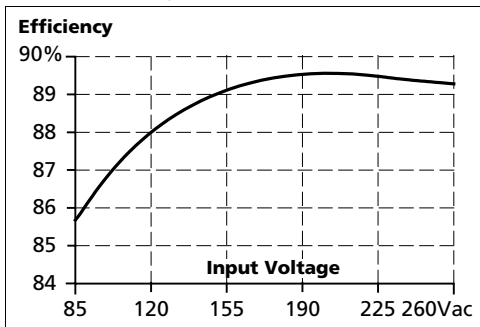
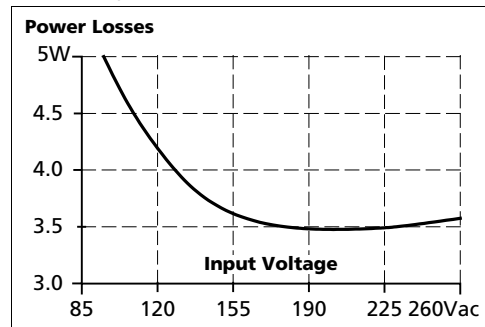
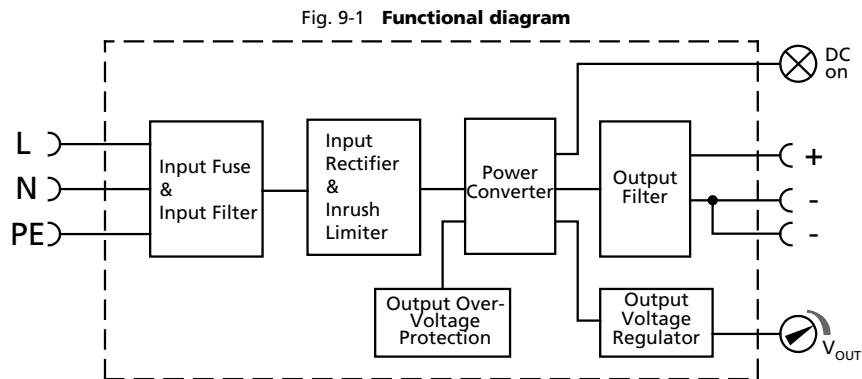


Fig. 8-4 Losses vs. input voltage at 24V, 1.3A, typ.



9. FUNCTIONAL DIAGRAM



10. FRONT SIDE AND USER ELEMENTS

Fig. 10-1 **Front side**



A Output Terminals

Screw terminals,
Dual terminals for the negative pole. Both poles are equal
+ Positive output
- Negative (return) output

B Input Terminals

Screw terminals
L Phase (Line) input
N Neutral conductor input
⊕ PE (Protective Earth) input

C DC-on LED (green)

On, when the voltage on the output terminals is > 17V

D Output voltage potentiometer

(single turn potentiometer)
Turn to set the output voltage. Factory set: 24.5V

11. TERMINALS AND WIRING

All terminals are easy to access when the power supply is mounted on the panel. Input and output terminals are separated from each other (input below, output above) to help in error-free wiring.

| | Input | Output |
|-------------------------------|---------------------------------|---------------------------------|
| Type | screw terminals | screw terminals |
| Solid wire | 0.5-6mm ² | 0.5-6mm ² |
| Stranded wire | 0.5-4mm ² | 0.5-4mm ² |
| American Wire Gauge | 20-10 AWG | 20-10 AWG |
| Wire stripping length | 7mm / 0.275inch | 7mm / 0.275inch |
| Screwdriver | 3.5mm slotted or Pozidrive No 2 | 3.5mm slotted or Pozidrive No 2 |
| Recommended tightening torque | 1Nm, 9lb.in | 1Nm, 9lb.in |

Instructions:

- Use appropriate copper cables that are designed for an operating temperature of: 60°C for ambient up to 45°C and 75°C for ambient up to 60°C minimum.
- Follow national installation codes and installation regulations!
- Ensure that all strands of a stranded wire enter the terminal connection!
- Up to two stranded wires with the same cross section are permitted in one connection point (except PE wire).
- Do not use the unit without PE connection.
- Screws of unused terminal compartments should be securely tightened.
- Ferrules are allowed.

12. LIFETIME EXPECTANCY AND MTBF

These units are extremely reliable and use only the highest quality materials. The number of critical components such as electrolytic capacitors has been reduced.

| | AC 100V | AC 120V | AC 230V | |
|------------------------------|-------------|-------------|-------------|---|
| Lifetime expectancy *) | 151 000h *) | 171 000h *) | 174 000h *) | at 24V, 1.3A and 40°C |
| | 259 000h *) | 259 000h *) | 254 000h *) | at 24V, 0.65A and 40°C |
| | 386 000h *) | 426 000h *) | 484 000h *) | at 24V, 1.3A and 25°C |
| MTBF **) SN 29500, IEC 61709 | 2 123 000h | 2 312 000h | 2 405 000h | at 24V, 1.3A and 40°C |
| | 3 688 000h | 3 971 000h | 4 124 000h | at 24V, 1.3A and 25°C |
| MTBF **) MIL HDBK 217F | 1 219 000h | 1 270 000h | 1 187 000h | at 24V, 1.3A , 40°C; Ground Benign GB40 |
| | 1 611 000h | 1 686 000h | 1 588 000h | at 24V, 1.3A , 25°C; Ground Benign GB25 |
| | 295 000h | 314 000h | 309 000h | at 24V, 1.3A , 40°C; Ground Fixed GF40 |
| | 380 000h | 405 000h | 400 000h | at 24V, 1.3A , 25°C; Ground Fixed GF25 |

*) The **Lifetime expectancy** shown in the table indicates the minimum operating hours (service life) and is determined by the lifetime expectancy of the built-in electrolytic capacitors. Lifetime expectancy is specified in operational hours and is calculated according to the capacitor's manufacturer specification. The manufacturer of the electrolytic capacitors only guarantees a maximum life of up to 15 years (131 400h). Any number exceeding this value is a calculated theoretical lifetime which can be used to compare devices.

) **MTBF stands for **Mean Time Between Failure**, which is calculated according to statistical device failures, and indicates reliability of a device. It is the statistical representation of the likelihood of a unit to fail and does not necessarily represent the life of a product. The MTBF figure is a statistical representation of the likelihood of a device to fail. A MTBF figure of e.g. 1 000 000h means that statistically one unit will fail every 100 hours if 10 000 units are installed in the field. However, it can not be determined if the failed unit has been running for 50 000h or only for 100h.

13. EMC

The power supply is suitable for applications in industrial environment as well as in residential, commercial and light industry environment without any restrictions. A detailed EMC report is available on request.

| EMC Immunity | | Generic standards: EN 61000-6-1 and EN 61000-6-2 | | |
|--------------------------|------------------------|--|---------------|-------------|
| Electrostatic discharge | EN 61000-4-2 | Contact discharge | 8kV | Criterion A |
| | | Air discharge | 8kV | Criterion A |
| Electromagnetic RF field | EN 61000-4-3 | 80MHz-2.7GHz | 10V/m | Criterion A |
| Fast transients (Burst) | EN 61000-4-4 | Input lines | 4kV | Criterion A |
| | | Output lines | 2kV | Criterion A |
| Surge voltage on input | EN 61000-4-5 | L → N | 2kV | Criterion A |
| | | N → PE, L → PE | 4kV | Criterion A |
| Surge voltage on output | EN 61000-4-5 | + → - | 1kV | Criterion A |
| | | + → PE, - → PE | 2kV | Criterion A |
| Conducted disturbance | EN 61000-4-6 | 0.15-80MHz | 10V | Criterion A |
| Mains voltage dips | EN 61000-4-11 | 0% of 100Vac | 0Vac, 20ms | Criterion A |
| | | 40% of 100Vac | 40Vac, 200ms | Criterion C |
| | | 70% of 100Vac | 70Vac, 500ms | Criterion A |
| | | 0% of 200Vac | 0Vac, 20ms | Criterion A |
| | | 40% of 200Vac | 80Vac, 200ms | Criterion A |
| | | 70% of 200Vac | 140Vac, 500ms | Criterion A |
| Voltage interruptions | EN 61000-4-11 | | 0Vac, 5000ms | Criterion C |
| Input voltage swells | PULS internal standard | | 300Vac, 500ms | Criterion A |
| Powerful transients | VDE 0160 | over entire load range | 750V, 1.3ms | Criterion A |

Criteria:

A: Power supply shows normal operation behavior within the defined limits.

C: Temporary loss of function is possible. Power supply may shut-down and restarts by itself. No damage or hazards for the power supply will occur.

| EMC Emission | | Generic standards: EN 61000-6-3 and EN 61000-6-4 | |
|-------------------------------|---|--|--|
| Conducted emission | EN 55011, EN 55032, FCC Part 15, CISPR 11, CISPR 32 | Class B, input lines | |
| Radiated emission | EN 55011, EN 55032, CISPR 11, CISPR 32 | Class B | |
| Harmonic input current | EN 61000-3-2 | Not applicable below 75W input power | |
| Voltage fluctuations, flicker | EN 61000-3-3 | Fulfilled *) | |

This device complies with FCC Part 15 rules.

Operation is subjected to following two conditions: (1) this device may not cause harmful interference, and (2) this device must accept any interference received, including interference that may cause undesired operation.

*) tested with constant current loads, non pulsing

Switching frequency

| | | |
|---------------------|--|---|
| Converter frequency | variable, typ. 100kHz, min. 45kHz, max. 180kHz | Input voltage and output load dependent |
|---------------------|--|---|

14. ENVIRONMENT

| | | |
|----------------------------|--|---|
| Operational temperature *) | -10°C to +70°C (-14°F to 158°F) | reduce output power according Fig. 14-1 |
| Storage temperature | -40°C to +85°C (-40°F to 185°F) | for storage and transportation |
| Output de-rating | 0.8W/°C | 60-70°C (140°F to 158°F) |
| Humidity **) | 5 to 95% r.H. | IEC 60068-2-30 |
| Vibration sinusoidal | 2-17.8Hz: ±1.6mm; 17.8-500Hz: 2g 2 hours / axis | IEC 60068-2-6 |
| Shock | 30g 6ms, 20g 11ms 3 bumps / direction, 18 bumps in total | IEC 60068-2-27 |
| Altitude | 0 to 2000m (0 to 6 560ft) 2000 to 6000m (6 560 to 20 000ft) | without any restrictions reduce output power or ambient temperature see Fig. 14-2 |
| Altitude de-rating | 4W/1000m or 5°C/1000m | IEC 62103, EN 50178, overvoltage category II > 2000m (6500ft), see Fig. 14-2 |
| Over-voltage category | III II | IEC 62103, EN 50178, altitudes up to 2000m altitudes from 2000m to 6000m |
| Degree of pollution | 2 | IEC 62103, EN 50178, not conductive |

*) Operational temperature is the same as the ambient temperature and is defined as the air temperature 2cm below the unit.

***) Do not energize while condensation is present

Fig. 14-1 Output power vs. ambient temp.

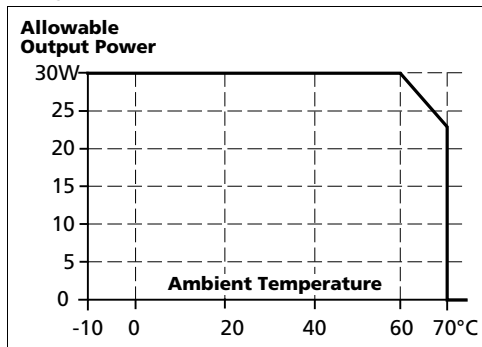
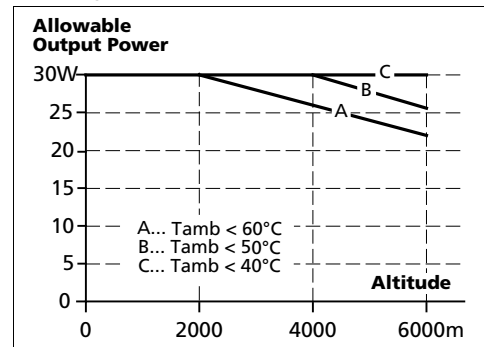


Fig. 14-2 Output power vs. altitude



15. PROTECTION FEATURES

| | | |
|--------------------------------|--|--|
| Output protection | Electronically protected against overload, no-load and short-circuits *) | |
| Output over-voltage protection | typ. 36Vdc max. 38Vdc | In case of an internal power supply fault, a redundant circuit limits the maximum output voltage. In such a case, the output shuts down and stays down until the input voltage is turned off and on again. |
| Output over-current protection | electronically limited | see Fig. 5-1 |
| Degree of protection | IP 20 | EN/IEC 60529 |
| Penetration protection | > 2.5mm in diameter | e.g. screws, small parts |
| Over-temperature protection | not included | |
| Input transient protection | MOV | Metal Oxide Varistor |
| Internal input fuse | T3.15A H.B.C. | not user replaceable |

*) In case of a protection event, audible noise may occur.

16. SAFETY FEATURES

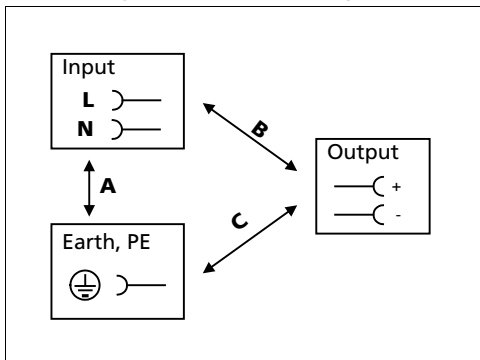
| | | |
|---------------------------------|---|--|
| Input / output separation *) | SELV PELV | IEC/EN 60950-1 IEC/EN 60204-1, EN 50178, IEC 62103, IEC 60364-4-41 |
| Class of protection | I | PE (Protective Earth) connection required |
| Isolation resistance | > 5M Ω | Input to output, 500Vdc |
| Touch current (leakage current) | typ. 0.17mA / 0.38mA typ. 0.24mA / 0.55mA typ. 0.40mA / 0.86mA < 0.21mA / 0.44mA < 0.30mA / 0.66mA < 0.54mA / 1.08mA | 100Vac, 50Hz, TN-,TT-mains / IT-mains 120Vac, 60Hz, TN-,TT-mains / IT-mains 230Vac, 50Hz, TN-,TT-mains / IT-mains 110Vac, 50Hz, TN-,TT-mains / IT-mains 132Vac, 60Hz, TN-,TT-mains / IT-mains 264Vac, 50Hz, TN-,TT-mains / IT-mains |

*) Double or reinforced insulation

17. DIELECTRIC STRENGTH

The output voltage is floating and has no ohmic connection to the ground. Type and factory tests are conducted by the manufacturer. Field tests may be conducted in the field using the appropriate test equipment which applies the voltage with a slow ramp (2s up and 2s down). Connect all phase-terminals together as well as all output poles before conducting the test. When testing, set the cut-off current settings to the value in the table below.





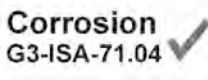
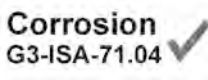

Fig. 17-1 Dielectric strength



| | | A | B | C |
|-------------------------|-----|---------|---------|--------|
| Type test | 60s | 2500Vac | 3000Vac | 500Vac |
| Factory test | 5s | 2500Vac | 2500Vac | 500Vac |
| Field test | 5s | 2000Vac | 2000Vac | 500Vac |
| Cut-off current setting | | > 6mA | > 6mA | > 1mA |

To fulfill the PELV requirements according to EN 60204-1 § 6.4.1, we recommend that either the + pole, the – pole or any other part of the output circuit shall be connected to the protective earth system. This helps to avoid situations in which a load starts unexpectedly or can not be switched off when unnoticed earth faults occur.

18. APPROVALS AND FULFILLED STANDARD

| | | |
|----------------|---|--|
| UL 508 |  | UL Certificate Listed equipment for category NMTR - Industrial Control Equipment and Fulfilled Standard Applicable for US and Canada E-File: E198865 |
| IEC 60950-1 | CB Report Available | CB Scheme Certificate General safety requirements for Information Technology Equipment (ITE) |
| UL 60950-1 |  | UL Certificate Recognized component for category QQQ - Information Technology Equipment (ITE) Applicable for US and Canada E-File: E137006 |
| Class I Div 2 |  | CSA Certificate Power Supplies for Hazardous Location Applicable for Canada and US CSA Class: 5318-01 (Canada), 5318-81 (USA) Temperature Code: T4 Groups: A, B, C and D |
| NEC Class 2 | NEC CLASS 2 | Manufacturer's Declaration NEC CLASS 2 – Limited Power Source Listed device according to NEC Handbook chapter 725-121 |
| Marine (DNV) |  | DNV Certificate DNV Type approved product Certificate: TAA00001ST Temperature: Class B Humidity: Class B Vibration: Class C EMC: Class B Enclosure: Class A |
| Marine (ABS) | ABS | ABS Design Assessment Certificate ABS (American Bureau of Shipment) assessed product Certificate: 17-HG1599236-PDA |
| ISA-71.04-1985 |  | Manufacturer's Declaration (Online Document) Airborne Contaminants Corrosion Test Severity Level: G3 Harsh H2S: 100ppb NOx: 1250ppb Cl2: 20ppb SO2: 300ppb Test Duration: 3 weeks, which simulates a service life of at least 10 years. |
| ISA-71.04-1985 |  | Manufacturer's Declaration (Online Document) Airborne Contaminants Corrosion Test Severity Level: G3 Harsh H2S: 100ppb NOx: 1250ppb Cl2: 20ppb SO2: 300ppb Test Duration: 3 weeks, which simulates a service life of at least 10 years. |
| VDMA 24364 |  | Paint Wetting Impairment Substances Test (or LABS-Test) Tested for Zone 2 and test class C1 according to VDMA 24364-C1-LW for solvents and water-based paints |

19. REGULATORY COMPLIANCE

EU Declaration of
Conformity



The CE mark indicates conformance with the
- EMC directive
- Low-voltage directive (LVD)
- RoHS directive

REACH Directive



Manufacturer's Statement
EU-Directive regarding the Registration, Evaluation,
Authorisation and Restriction of Chemicals

EAC TR Registration



EAC Certificate
EAC EurAsian Conformity - Registration Russia, Kazakhstan
and Belarus
8504408200, 8504409000

20. PHYSICAL DIMENSIONS AND WEIGHT

| | |
|-------------------------|---|
| Weight | 140g / 0.31lb |
| DIN-Rail | Use 35mm DIN-rails according to EN 60715 or EN 50022 with a height of 7.5 or 15mm. The DIN-rail height must be added to the unit depth (91mm) to calculate the total required installation depth. |
| Installation Clearances | See chapter 2 |

Fig. 20-1 Front view

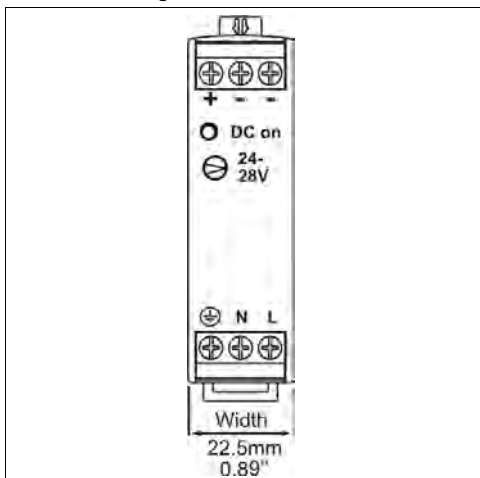
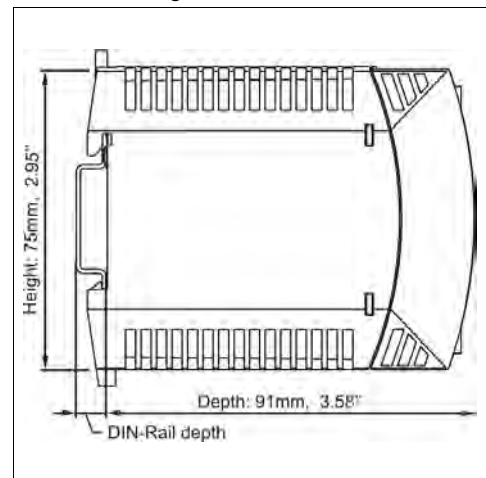


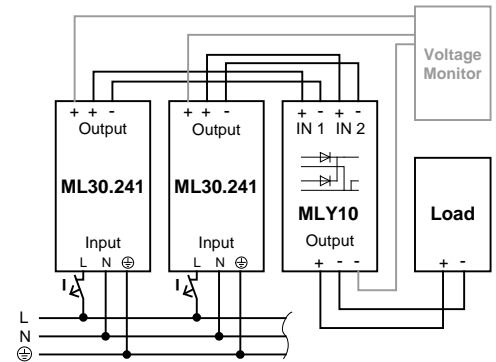
Fig. 20-2 Side view



21. ACCESSORY

21.1. MLY10.241 - REDUNDANCY MODULE

The MLY10.241 is a dual redundancy module, which has two diodes with a common cathode included. It can be used for various purposes. The most popular application is to configure highly reliable and true redundant power supply systems. Another interesting application is the separation of sensitive loads from non-sensitive loads. This avoids the distortion of the power quality for the sensitive loads which can cause controller failures.



22. APPLICATION NOTES

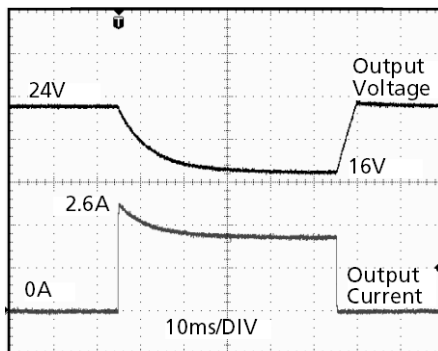
22.1. PEAK CURRENT CAPABILITY

Solenoids, contactors and pneumatic modules often have a steady state coil and a pick-up coil. The inrush current demand of the pick-up coil is several times higher than the steady-state current and usually exceeds the nominal output current. The same situation applies when starting a motor or switching-on a capacitive load.

In many cases, the peak current capability also ensures a safe operation of subsequent circuit breakers. Branch circuits are often protected with circuit breakers or fuses. In case of a short or an overload in a branch circuit, the fuse needs a certain amount of over-current to trip or to blow.

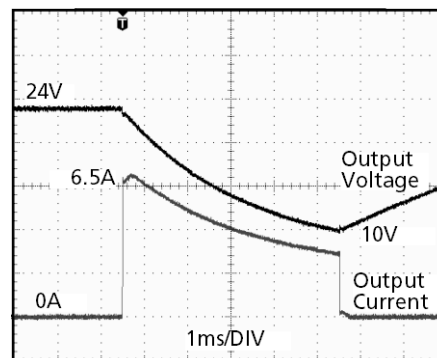
Assuming the input voltage is turned on before such an event, the built-in large sized output capacitors inside the power supply can deliver extra current. Discharging this capacitor causes a voltage dip on the output. The following two examples show typical voltage dips:

Fig. 22-1 **Peak loading with 2x the nominal current for 50ms, typ.**



Peak load 2.6A (resistive load) for 50ms
Output voltage dips from 24V to 16V.

Fig. 22-2 **Peak loading with 5x the nominal current for 5ms, typ.**



Peak load 6.5A (resistive load) for 5ms
Output voltage dips from 24V to 10V.

22.2. BACK-FEEDING LOADS

Loads such as decelerating motors and inductors can feed voltage back to the power supply. This feature is also called return voltage immunity or resistance against Back- E.M.F. (Electro Magnetic Force).

This power supply is resistant and does not show malfunctioning when a load feeds back voltage to the power supply. It does not matter whether the power supply is on or off.

The maximum allowed feed-back-voltage is 35Vdc. The absorbing energy can be calculated according to the built-in large sized output capacitor which is specified in chapter 5.

22.3. CHARGING OF BATTERIES

The power supply can be used to charge lead-acid or maintenance free batteries. (Two 12V batteries in series)

Instructions for charging batteries (float charging):

- Ensure that the ambient temperature of the power supply is below 45°C
- Set output voltage (measured at no load and at the battery end of the cable) very precisely to the end-of-charge voltage.

| | | | | |
|-----------------------|-------|-------|--------|-------|
| End-of-charge voltage | 27.8V | 27.5V | 27.15V | 26.8V |
| Battery temperature | 10°C | 20°C | 30°C | 40°C |

- Use a 2A circuit breaker (or blocking diode) between the power supply and the battery.
- Ensure that the output current of the power supply is below the allowed charging current of the battery.
- Use only matched batteries when putting 12V types in series.
- The return current to the power supply (battery discharge current) is typical 9mA when the power supply is switched off (except in case a blocking diode is utilized).

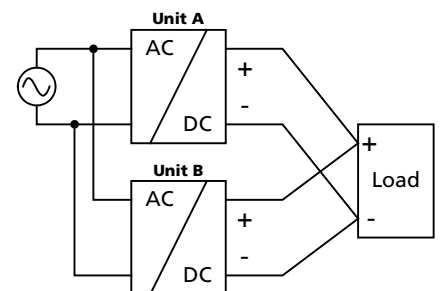
22.4. EXTERNAL INPUT PROTECTION

The unit is tested and approved for branch circuits up to 20A. An external protection is only required, if the supplying branch has an ampacity greater than this. Check also local codes and local requirements. In some countries local regulations might apply.

If an external fuse is necessary or utilized, minimum requirements need to be considered to avoid nuisance tripping of the circuit breaker. A minimum value of 6A B- or 3A C-Characteristic breaker should be used.

22.5. PARALLEL USE TO INCREASE OUTPUT POWER

ML30.241 power supplies can be paralleled to increase the output power. This power supply has no feature included which balances the load current between the power supplies. Usually the power supply with the higher adjusted output voltage draws current until it goes into current limitation. This means no harm to this power supply as long as the ambient temperature stays below 45°C. The ML30.241 can also be paralleled with other power supplies from MiniLine series with 24V output voltage. The output voltages of all power supplies shall be adjusted to the same value ($\pm 100\text{mV}$). A fuse or diode on the output of each unit is only required if more than three units are connected in parallel. If a fuse (or circuit breaker) is used, choose one with approximately 150% of the rated output current of one power supply. Keep an installation clearance of 15mm (left / right) between two power supplies and avoid installing the power supplies on top of each other. Do not use power supplies in parallel in mounting orientations other than the standard mounting orientation (input terminals on the bottom and output terminals on top of the unit). Be aware that leakage current, EMI, inrush current and harmonics will increase when using multiple power supplies in parallel.



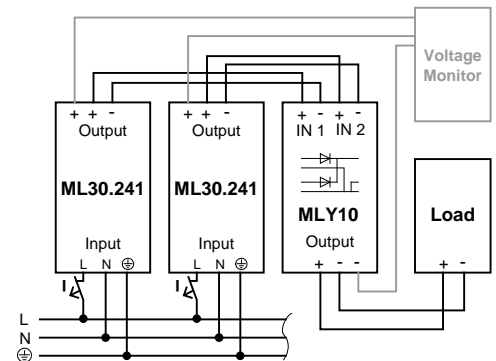
22.6. PARALLEL USE FOR REDUNDANCY

Power supplies can be paralleled for redundancy to gain higher system availability. Redundant systems require a certain amount of extra power to support the load in case one power supply unit fails. The simplest way is to put two power supplies in parallel. This is called a 1+1 redundancy. In case one power supply unit fails, the other one is automatically able to support the load current without any interruption. Redundant systems for a higher power demand are usually built in an N+1 method. E.g. five power supplies, each rated for 1.3A are paralleled to build a 5A redundant system.

Please note: This simple way to build a redundant system does not cover failures such as an internal short circuit in the secondary side of the power supply. In such a case, the defect unit becomes a load for the other power supplies and the output voltage can not be maintained any more. This can only be avoided by utilizing decoupling diodes which are included in the redundancy module MLY10.241.

Recommendations for building redundant power systems:

- Use separate input fuses for each power supply.
- Use separate mains systems for each power supply whenever it is possible.
- Monitor the individual power supply units.
- 1+1 Redundancy is allowed up to an ambient temperature of 60°C.
N+1 Redundancy is allowed up to an ambient temperature of 45°C.
- It is desirable to set the output voltages of all units to the same value ($\pm 100\text{mV}$) or leave it at the factory setting.

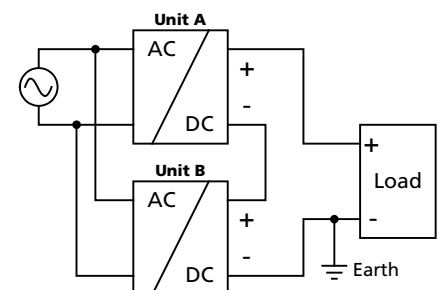


22.7. INDUCTIVE AND CAPACITIVE LOADS

The unit is designed to supply any type of load, including unlimited capacitive and inductive loads.

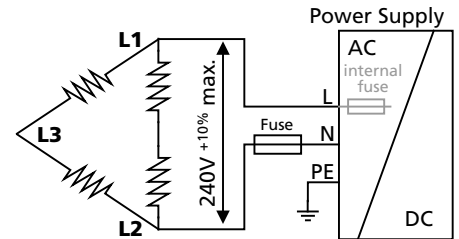
22.8. SERIES OPERATION

Power supplies of the exact same type can be connected in series for higher output voltages. It is possible to connect as many units in series as needed, providing the sum of the output voltage does not exceed 150Vdc. Voltages with a potential above 60Vdc are not SELV any more and can be dangerous. Such voltages must be installed with a protection against touching. Earthing of the output is required when the sum of the output voltage is above 60Vdc. Avoid return voltage (e.g. from a decelerating motor or battery) which is applied to the output terminals. Keep an installation clearance of 15mm (left / right) between two power supplies and avoid installing the power supplies on top of each other. Do not use power supplies in series in mounting orientations other than the standard mounting orientation (input terminals on the bottom and output terminals on top of the unit). Be ware that leakage current, EMI, inrush current and harmonics will increase when using multiple power supplies series.



22.9. OPERATION ON TWO PHASES

The power supply can also be used on two-phases of a three-phase-system. A phase-to-phase connection is allowed as long as the supplying voltage is below $240V^{+10\%}$. Use a fuse or a circuit breaker to protect the N input. The N input is not internally protected and is in this case connected to a hot wire. Appropriate fuses or circuit breakers are specified in section 22.4.



22.10. USE WITHOUT PE ON THE INPUT

From a safety standpoint, the unit is internally designed according to the requirements for Protection Class 1 and 2. Please contact PULS if you do not plan to use the PE terminal. A different marking of the front foil is then required. Grounding of the input is beneficial for a high EMI immunity: Symmetrical spikes or fast transients on the input side can be conducted directly to earth by the built-in filter capacitors. The magnitude of such spikes or fast transients on the output side caused by the input is much smaller compared to not connecting this terminal to ground.

Fig. 22-3 **Earthed input**

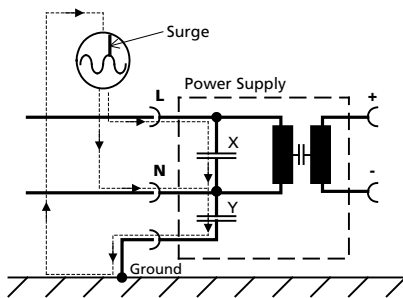
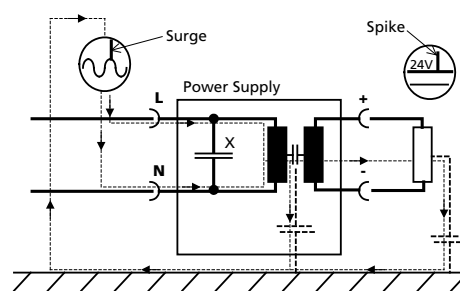


Fig. 22-4 **Not earthed input**



22.11. USE IN A TIGHTLY SEALED ENCLOSURE

When the power supply is installed in a tightly sealed enclosure, the temperature inside the enclosure will be higher than outside. In such situations, the inside temperature defines the ambient temperature for the power supply.

The following measurement results can be used as a reference to estimate the temperature rise inside the enclosure.

The power supply is placed in the middle of the box; no other heat producing items are inside the box.

Enclosure: Rittal Type IP66 Box PK 9510 100, plastic, 130x130x75mm
Input: 230Vac

Case A:

Load: 24V, 1.3A; load is placed outside the box
Temperature inside the box: 35.2°C (in the middle of the right side of the power supply with a distance of 1cm)
Temperature outside the box: 23.9°C
Temperature rise: 11.3K

Case B:

Load: 24V, 1.04A; (=80%) load is placed outside the box
Temperature inside the box: 32.0°C (in the middle of the right side of the power supply with a distance of 1cm)
Temperature outside the box: 23.1°C
Temperature rise: 8.9K

22.12. MOUNTING ORIENTATIONS

Mounting orientations other than input terminals on the bottom and output on the top require a reduction in continuous output power or a limitation in the maximum allowed ambient temperature. The amount of reduction influences the lifetime expectancy of the power supply. Therefore, two different derating curves for continuous operation can be found below:

Curve A1 Recommended output current.

Curve A2 Max allowed output current (results in approximately half the lifetime expectancy of A1).

Fig. 22-5
Mounting Orientation A
(Standard orientation)

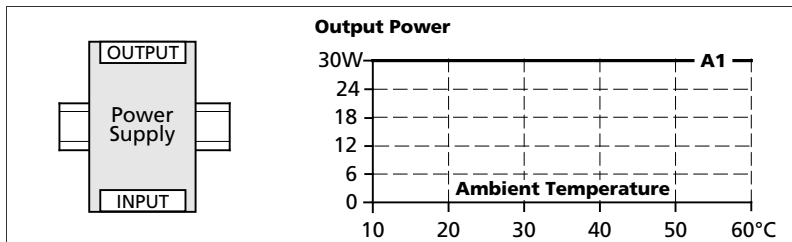


Fig. 22-6
Mounting Orientation B
(Upside down)

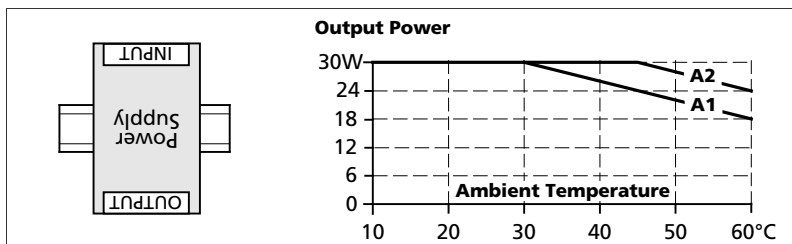


Fig. 22-7
Mounting Orientation C
(Table-top mounting)

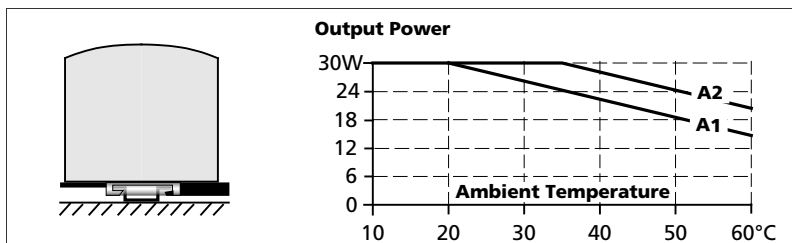


Fig. 22-8
Mounting Orientation D
(Horizontal cw)

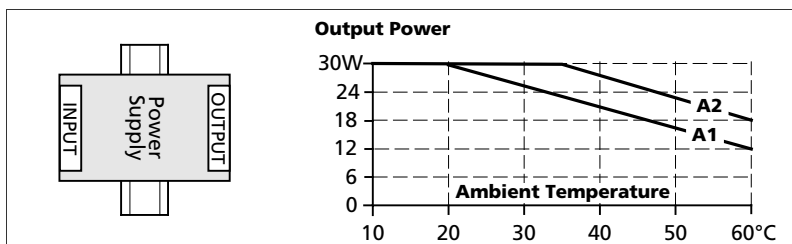


Fig. 22-9
Mounting Orientation E
(Horizontal ccw)

