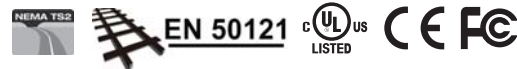


# EDR-810 Series

## 8+2G multiport industrial secure router with switch/firewall/NAT/VPN



- > 8+2G all-in-one firewall/NAT/VPN/router/switch
- > Build up secure remote access tunnel with VPN
- > Protect critical assets by stateful firewall
- > Inspect industrial protocol with PacketGuard technology
- > Easy network setup with network address translation (NAT)
- > RSTP/Turbo Ring redundant protocol enhances network redundancy
- > -40 to 75°C operating temperature range (T model)
- > ISA99 / IEC 62443 / NERC CIP compliance
- > Check firewall settings with intelligent SettingCheck feature



### Introduction

The EDR-810 is a highly integrated industrial multiport secure router with firewall/NAT/VPN and managed Layer 2 switch functions. It is designed for Ethernet-based security applications in sensitive remote control or monitoring networks, and it provides an electronic security perimeter for the protection of critical cyber assets such as pumping/treatment systems in water stations, DCS systems in oil and gas applications, and PLC/SCADA systems in factory automation. The EDS-810 series includes the following cybersecurity features:

- **Firewall/NAT:** Firewall policies control network traffic between different trust zones, and Network Address Translation (NAT) shields the internal LAN from unauthorized activity by outside hosts.
- **VPN:** Virtual Private Networking (VPN) is designed to provide users with secure communication tunnels when accessing a

private network from the public Internet. VPNs use IPsec (IP Security) server or client mode for encryption and authentication of all IP packets at the network layer to ensure confidentiality and sender authentication.

The EDR-810's "WAN Routing Quick Setting" provides an easy way for users to set up WAN and LAN ports to create a routing function in four steps. In addition, the EDR-810's "Quick Automation Profile" gives engineers a simple way to configure the firewall filtering function with general automation protocols, including EtherNet/IP, Modbus TCP, EtherCAT, FOUNDATION Fieldbus, and PROFINET. Users can easily create a secure Ethernet network from a user-friendly web UI with a single click, and the EDR-810 is capable of performing deep Modbus TCP packet inspection. Wide temperature range models that operate reliably in hazardous, -40 to 75°C environments are also available.

### Specifications

#### Technology

##### Standards:

IEEE 802.3 for 10BaseT  
IEEE 802.3u for 100BaseT(X)  
IEEE 802.3ab for 1000BaseT(X)  
IEEE 802.3z for 1000BaseX  
IEEE 802.1Q for VLAN tagging  
IEEE 802.3ad for port trunk

**Protocols:** SNMP v1/v2c/v3, DHCP server/client, TFTP, NTP/SNTP server/client, HTTP, HTTPS, Telnet, SSH, IPsec, L2TP, IGMP v1/v2/v3, QoS/CoS/ToS, Radius, RSTP/STP, LLDP, DDNS, Proxy ARP

**Routing:** Static routing, RIP V1/V2, OSPF

Throughput: 10000 packets per second (max. 100 Mbps)

**Routing Redundancy:** VRRP

**Multicast Routing:** Static, DVMRP, PIM-SM/SSM

**Broadcast Forwarding:** IP directed broadcast, broadcast forwarding

**Redundancy:** STP/RSTP, Turbo Ring V2, Ring Coupling, and Dual Homing

**Flow Control:** IEEE 802.3x flow control, back pressure flow control

#### Security Functions

##### Firewall:

Features:

- Stateful inspection
- Router firewall and transparent (bridge) firewall
- Filter: IP and MAC address, ports, ICMP, DDoS, Ethernet protocols
- Deep Packet Inspection: Modbus TCP/UDP
- Quick Automation Profiles: EtherCAT, EtherNet/IP, FOUNDATION Fieldbus, LonWorks, Modbus/TCP, PROFINET, IEC 60870-104, DNP, FTP, SSH, Telnet, HTTP, IPsec, L2TP, PPTP, RADIUS
- Throughput: Max. 10000 packets per second (Max. 100 Mbps)
- **DoS and DDoS Protection:** Null Scan, Xmas Scan, NMAP-Xmas Scan, SYN/FIN Scan, FIN Scan, NMAP-ID Scan, SYN/RST Scan, NEW-Without-SYN Scan, ICMP-Death, SYN-Flood, ARP-Flood
- **NAT:** N-to-1, 1-to-1, bidirectional 1-to-1, and port forwarding

**IPSec VPN:**

Protocols:

- IPSec
- L2TP (server)
- PPTP (client)

Encryption:

- DES, 3DES, AES-128, AES-192, AES-256

Authentication:

- RSA (key size: 1024-bit, 2048-bit)
- X.509 v3 certificate
- MD5 and SHA (SHA-256)

Throughput:

- Max. 17 Mbps (Conditions: AES-256, SHA-256)

Concurrent VPN Tunnels:

- Max. 10 IPSec VPN tunnels

**OpenVPN:**

Protocols:

- OpenVPN (client and server), UDP and TCP
- Tunnel mode (routing) and TAP mode (bridge)

Encryption:

- Blowfish CBC, DES CBC, DES-EDE3 CBC, AES-128/192/256 CBC

Authentication:

- User password by MD5 and SHA1

Throughput:

- Max. 5 Mbps

Concurrent VPN Tunnels:

- Server mode: max. 5 external clients
- Client mode: max. 2 external servers

**Real-Time Firewall / VPN Event Log:**

- Event Type: Firewall Event, VPN Event, System Security Event
- Media: Local storage, Syslog server, and SNMP trap

**Switch Properties**

**Max. Number of VLANs:** 16

**VLAN ID Range:** 1 to 4094

**IGMP Groups:** 256

**Interface**

**RJ45 Ports:** 10/100BaseT(X) auto negotiation speed

**Fiber Ports:** 1000BaseSFP slot

**Console Port:** Web/Telnet/SSH/CLI, and RS-232 serial console

**RESET button:** Reset to default settings

**LED Indicators:** STATE, PWR1, PWR2, FAULT, 10/100/1000M

**Alarm Contact:** One relay output with current-carrying capacity of 1 A @ 24 VDC

**Digital Inputs:** 1 2-contact terminal block

- +13 to +30 V for state "1"
- -30 to +3 V for state "0"
- Max. input current: 8 mA

**Power Requirements**

**Input Voltage:** 12/24/48 VDC, redundant dual inputs

**Input Current:** 0.32 A @ 24 V

**Overload Current Protection:** Present

**Connection:** Removable terminal block

**Reverse Polarity Protection:** Present

**Physical Characteristics**

**Housing:** Metal

**Dimensions:** 53.6 x 135 x 105 mm (2.11 x 5.31 x 4.13 in)

**Weight:** 830 g (2.10 lb)

**Installation:** DIN-rail mounting, wall mounting (with optional kit)

**Environmental Limits**

**Operating Temperature:**

Standard Models: -10 to 60°C (14 to 140°F)

Wide Temp. Models: -40 to 75°C (-40 to 167°F)

**Storage Temperature:** -40 to 85°C (-40 to 185°F)

**Ambient Relative Humidity:** 5 to 95% (non-condensing)

**Standards and Certifications**

**Safety:** UL 508

**EMC:** EN 55022/24

**Hazardous Location:** UL/cUL Class I Division 2 Groups A/B/C/D

**EMI:** CISPR 22, FCC Part 15B Class A

**EMS:**

IEC 61000-4-2 ESD: Contact: 6 kV; Air: 8 kV

IEC 61000-4-3 RS: 80 MHz to 1 GHz: 10 V/m

IEC 61000-4-4 EFT: Power: 2 kV; Signal: 2 kV

IEC 61000-4-5 Surge: Power: 2 kV; Signal: 2 kV

IEC 61000-4-6 CS: Signal: 10 V

IEC 61000-4-8

**Rail Traffic:** EN 50121-4

**Transportation:** NEMA TS2

**Shock:** IEC 60068-2-27

**Freefall:** IEC 60068-2-32

**Vibration:** IEC 60068-2-6

*Note: Please check Moxa's website for the most up-to-date certification status.*

**MTBF (mean time between failures)**

**Time:** 981,954 hrs

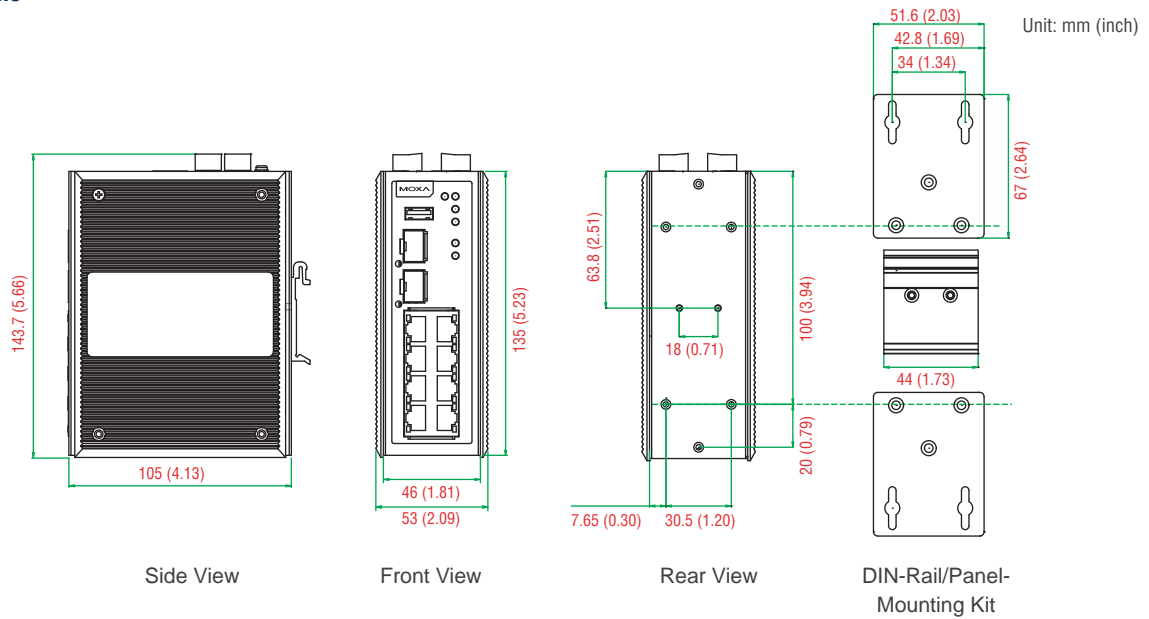
**Standard:** Telcordia (Bellcore), GB

**Warranty**

**Warranty Period:** 5 years

**Details:** See [www.moxa.com/warranty](http://www.moxa.com/warranty)

## Dimensions



## Ordering Information

### Available Models

**EDR-810-2GSFP:** 8+2G-port industrial multiport secure router with firewall/NAT, -10 to 60°C operating temperature

**EDR-810-2GSFP-T:** 8+2G-port industrial multiport secure router with firewall/NAT, -40 to 75°C operating temperature

**EDR-810-VPN-2GSFP:** 8+2G-port industrial multiport secure router with firewall/NAT/VPN, -10 to 60°C operating temperature

**EDR-810-VPN-2GSFP-T:** 8+2G-port industrial multiport secure router with firewall/NAT/VPN, -40 to 75°C operating temperature

Note: The EDR-810 series supports 1000BaseSFP slots. See the SFP-1G series Gigabit Ethernet SFP module product datasheet for more information.

### Optional Accessories (can be purchased separately)

**ABC-02-USB:** Automatic Backup Configurator

**DR-4524/75-24/120-24:** 45/75/120 W DIN-rail 24 VDC power supplies

**MDR-40-24/60-24:** 40/60 W DIN-rail 24 VDC power supplies, -20 to 70°C operating temperature

**WK-51-01:** Wall-mounting kit, 2 plates with 6 screws

**RK-4U:** 4U-high 19-inch rack-mounting kit

### Package Checklist

- EDR-810 industrial secure router
- Serial Cable: CN20070
- Documentation and software CD
- Hardware installation guide (printed)
- Warranty card

# SFP-1G Series

## 1-port Gigabit Ethernet SFP modules



- > Digital Diagnostic Monitor Function
- > -40 to 85°C operating temperature range (T models)
- > IEEE 802.3z compliant
- > Differential LVPECL inputs and outputs
- > TTL signal detect indicator
- > Hot pluggable LC duplex connector
- > Class 1 laser product, complies with EN 60825-1



### Specifications

#### Interface

Ethernet Ports: 1

Connectors: Duplex LC Connector or Simplex LC Connector (WDM-type only)

#### Optical Fiber

		Gigabit Ethernet SFP									
		SFP-SX		SFP-LSX		SFP-LX	SFP-LH	SFP-LHX	SFP-ZX	SFP-EZX	SFP-EZX-120
Transceiver Type		Multi-Mode		Multi-Mode		Single-Mode	Single-Mode	Single-Mode	Single-Mode	Single-Mode	Single-Mode
Fiber Cable Type		OM1	OM2	OM2	OM1	G.652	G.652	G.652	G.652	G.652	G.652
Typical Distance		300 m	550 m	1 km	2 km	10 km	30 km	40 km	80 km	110 km	120 km
Wave-length	Typical (nm)	850		1310		1310	1310	1310	1550	1550	1550
	TX Range (nm)	830 to 860		1270 to 1355		1280 to 1355	1280 to 1355	1280 to 1340	1530 to 1570	1530 to 1570	1530 to 1570
	RX Range (nm)	770 to 860		1260 to 1610		1260 to 1610	1260 to 1610	1260 to 1610	1260 to 1610	1260 to 1610	1100 to 1600
Optical Power	TX Range (dBm)	-4 to -9.5		-1 to -9		-3 to -9	-3 to -8	+3 to -4	+5 to 0	+5 to 0	+3 to -2
	RX Range (dBm)	0 to -18		-1 to -19		-3 to -21	-3 to -23	-1 to -24	-1 to -24	-9 to -30	-8 to -33
	Link Budget (dB)	8.5		10		12	15	20	24	30	31
	Dispersion Penalty (dB)	4.3	3.6	5	5	1	1	1	1	1	2

Note: When connecting the SFP-LHX, ZX, EZX, or EZX-120, we recommend using an attenuator to prevent the transceiver from being damaged by excessive optical power.

		WDM Gigabit Ethernet SFP							
		SFP-10A		SFP-10B	SFP-20A		SFP-20B	SFP-40A	SFP-40B
Transceiver Type		Single-Mode		Single-Mode		Single-Mode		Single-Mode	
Fiber Cable Type		G.652		G.652		G.652		G.652	
Typical Distance		10 km		20 km		40 km		40 km	
Wave-length	Typical (nm)	TX 1310, RX 1550		TX 1550, RX 1310		TX 1310, RX 1550		TX 1550, RX 1310	
	TX Range (nm)	1270 to 1355		1530 to 1570		1270 to 1355		1530 to 1570	
	RX Range (nm)	1480 to 1580		1260 to 1360		1480 to 1580		1260 to 1360	
Optical Power	TX Range (dBm)	-3 to -9		-2 to -8		-2 to -8		+2 to -3	
	RX Range (dBm)	-3 to -21		-2 to -23		-2 to -23		-1 to -23	
	Link Budget (dB)	12		15		15		20	
	Dispersion Penalty (dB)	2		3		3		1	

Note: WDM-type SFP modules must be used in pairs (e.g., SFP-1G10ALC and SFP-1G10BLC)

Note: When connecting the SFP-40A and 40B, we recommend using an attenuator to prevent damage caused by excessive optical power.

**Typical Distance:** To reach the typical distance of specified fiber transceiver, please refer to formula: Link budget(dB) > dispersion penalty(dB) + total link loss(dB).

**Power Requirements**

Power Consumption: Max. 1 W

**Environmental Limits**

Operating Temperature:

Standard Models: 0 to 60°C (32 to 140°F)

Wide Temp. Models: -40 to 85°C (-40 to 185°F)

Storage Temperature: -40 to 85°C (-40 to 185°F)

Ambient Relative Humidity: 5 to 95% (non-condensing)

**Standards and Certifications**

Safety: CE, FCC, TÜV (EN 60825), UL 60950-1

Marine: DNV, GL

**Warranty**

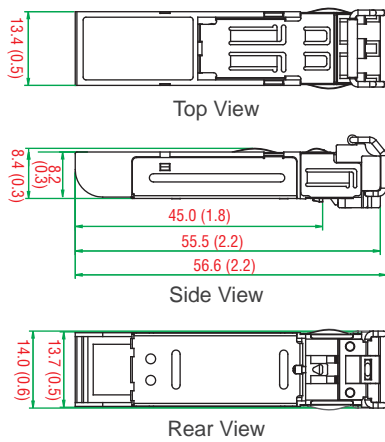
Warranty Period: 5 years

Details: See [www.moxa.com/warranty](http://www.moxa.com/warranty)

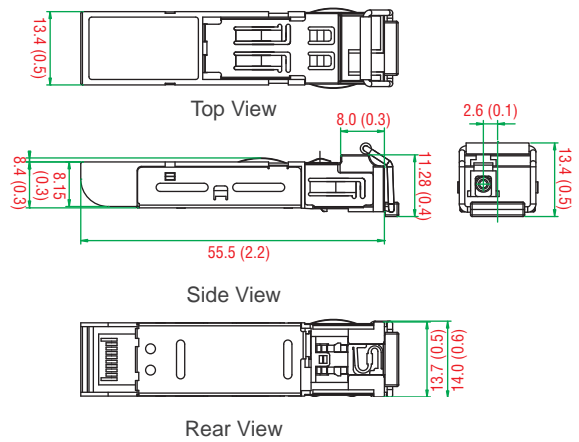
**Dimensions**

Unit: mm (inch)

**SFP-1G Series**



**SFP-1G Series (WDM Type)**



**Ordering Information**

Gigabit Ethernet SFP Models				WDM Gigabit Ethernet SFP Models			
Standard Temperature Models (0 to 60°C)	Wide Temperature Models (-40 to 85°C)	Transceiver Type	Typical Distance	Standard Temperature (0 to 60°C)	Wide Temperature (-40 to 85°C)	Transceiver Type	Typical Distance
SFP-1GSXLC	SFP-1GSXLC-T*	Multi-Mode	300/550 m	SFP-1G10ALC	SFP-1G10ALC-T	Single-Mode	10 Km
SFP-1GLSXLC	SFP-1GLSXLC-T	Multi-Mode	1/2 Km	SFP-1G10BLC	SFP-1G10BLC-T	Single-Mode	10 Km
SFP-1GLXLC	SFP-1GLXLC-T	Single-Mode	10 Km	SFP-1G20ALC	SFP-1G20ALC-T	Single-Mode	20 Km
SFP-1GLHLC	SFP-1GLHLC-T	Single-Mode	30 Km	SFP-1G20BLC	SFP-1G20BLC-T	Single-Mode	20 Km
SFP-1GLHXLC	SFP-1GLHXLC-T	Single-Mode	40 Km	SFP-1G40ALC	SFP-1G40ALC-T	Single-Mode	40 Km
SFP-1GZXLC	SFP-1GZXLC-T	Single-Mode	80 Km	SFP-1G40BLC	SFP-1G40BLC-T	Single-Mode	40 Km
SFP-1GEZXC	-	Single-Mode	110 Km	-	-	-	-
SFP-1GEZXC-120	-	Single-Mode	120 Km	-	-	-	-

\*SFP-1GSXLC-T: -20 to 75°C operating temperature

**Available Models**

Please refer to the Moxa Ethernet SFP Transceiver Products Compatibility Matrix on the next page for available models.

**Package Checklist**

- SFP-1G module
- Warranty card