

ioLogik E1261W-T

Ethernet remote I/O for wind power applications



- > User-definable Modbus/TCP Slave addressing
- > Active communications with MX-AOPC UA Server
- > Easy mass deployment and configuration with ioSearch utility
- > Friendly configuration via web browser
- > Simplify I/O management with MXIO library on either Windows or Linux platform
- > Wide operating temperature range: -40 to 75°C (-40 to 167°F)



17

Remote I/O > ioLogik E1261W-T

Introduction

Moxa's ioLogik E1261W-T is designed for Ethernet-based remote condition monitoring systems. With 3 RTD, 5 AI, and 12 DIO channels, the ioLogik E1261W-T's I/O combination is ideal for monitoring wind turbines and environmental conditions. Unlike other remote

I/O products, which are passive and must poll for data, the ioLogik E1261W-T supports active communication with Moxa's MX-AOPC UA Server to enable real time communications capabilities with remote monitoring and control systems.

Specifications

LAN

Ethernet: 1 10/100 Mbps RJ45 port
Protection: 1.5 kV magnetic isolation
Protocols: Modbus/TCP (slave), TCP/IP, UDP, DHCP, BOOTP, HTTP

Serial

Interface: 1 RS-485-2w terminal block port
Parity: None
Data Bits: 8
Stop Bits: 1
Flow Control: None
Baudrate: 1200 to 115200 bps
Protocols: Modbus RTU (slave)

Inputs and Outputs

Configurable DI/Os (by software): 12 channels
Analog Inputs: 5 channels
RTDs: 3 channels
Isolation: 3k VDC or 2k Vrms

Digital Input

Sensor Type: Wet Contact (NPN or PNP), Dry Contact
I/O Mode: DI or Event Counter
Dry Contact:
 • On: short to GND
 • Off: open

Wet Contact (DI to GND):

• On: 0 to 3 VDC
 • Off: 10 to 30 VDC
Common Type: 12 points per COM
Counter Frequency: 250 Hz
Digital Filtering Time Interval: Software Configurable

Digital Output

Type: Sink
I/O Mode: DO or Pulse Output
Pulse Output Frequency: 500 Hz
Over-Voltage Protection: 45 VDC

Over-Current Protection: 2.6 A (4 channels @ 650 mA)
Over-Temperature Shutdown: 175°C (typical), 150°C (min.)
Current Rating: 200 mA per channel

Analog Input

Type: Differential input
Resolution: 16 bits
I/O Mode: Voltage / Current (software selectable)
Input Range: 0 to 10 VDC, 0 to 20 mA, 4 to 20 mA, 4 to 20 mA (burnout detection)
Accuracy:
 • ±0.1% FSR @ 25°C
 • ±1.0% FSR @ -40 and 75°C
Sampling Rate:
 • All channels: 12 samples/sec
 • Per channel: 2.4 samples/sec
Input Impedance: 10 mega-ohms (min.)
Built-in Resistor for Current Input: 120 ohms

RTD

Sensor Type: PT100 (-200 to 850°C)
Input connection: 2- or 3-wire
Sampling Rate:
 • All channels: 12 samples/sec
 • Per channel: 4 samples/sec
Resolution: 16 bits
Accuracy:
 • ±0.1% FSR @ 25°C
 • ±1.0% FSR @ -40 and 75°C
Input Impedance: 625 kilo-ohms (min.)

Power Requirements

Input Voltage: 12 to 36 VDC
Input Current: 143 mA @ 24 VDC

Physical Characteristics

Wiring: I/O cable, 14 AWG (max.)
Dimensions: 115 x 79 x 40.4 mm (4.53 x 3.11 x 1.59 in)
Weight: Under 250 g (0.55 lb)
Mounting: DIN-rail or wall

Environmental Limits

Operating Temperature: -40 to 75°C (-40 to 167°F)
Storage Temperature: -40 to 85°C (-40 to 185°F)
Ambient Relative Humidity: 5 to 95% (non-condensing)
Shock: IEC 60068-2-27
Vibration: IEC 60068-2-6
Altitude: Up to 2000 m
 Please contact Moxa if you require products guaranteed to function properly at higher altitudes.

Standards and Certifications

Safety: UL 508
EMC: EN 55022/24
EMI: CISPR 22, FCC Part 15B Class A

EMS:

IEC 61000-4-2 ESD: Contact: 4 kV; Air: 8 kV
 IEC 61000-4-3 RS: 80 MHz to 1 GHz: 3 V/m
 IEC 61000-4-4 EFT: Power: 2 kV; Signal: 1 kV
 IEC 61000-4-5 Surge: Power: 2 kV; Signal: 1 kV
 IEC 61000-4-6 CS: 10 V
 IEC 61000-4-8

Green Product: RoHS, CRoHS, WEEE

Please check Moxa's website for the most up-to-date certification status.

MTBF (mean time between failures)

Time: 367,508 hrs

Standard: Telcordia SR332

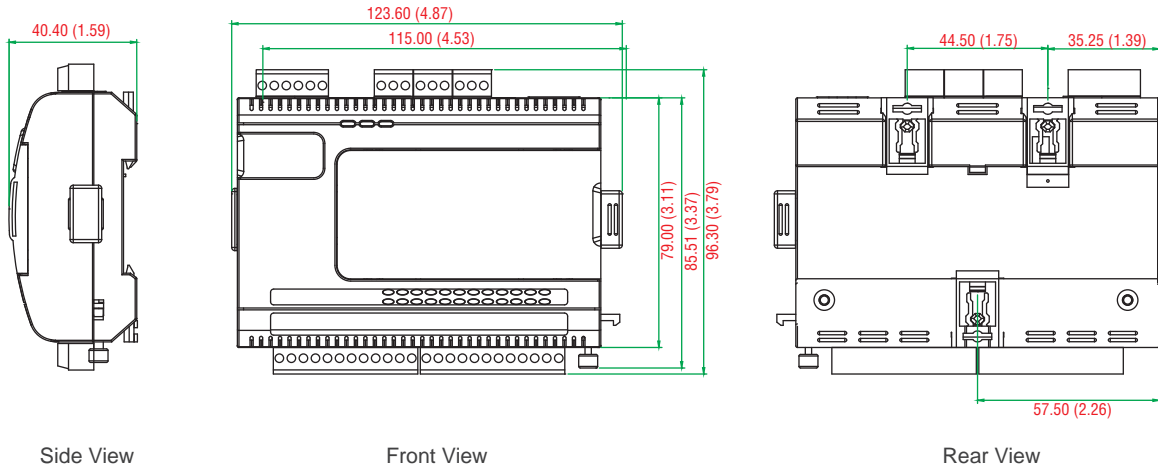
Warranty

Warranty Period: 5 years

Details: See www.moxa.com/warranty

Dimensions

Unit: mm (inch)



Ordering Information

Available Models

ioLogik E1261W-T: Ethernet remote I/O with 12 DIos, 5 AIs, 3 RTDs, -40 to 75°C operating temperature

Package Checklist

- ioLogik E1261W-T
- Documentation and software CD
- Quick installation guide (printed)