

UPort® 204/207

4 and 7-port entry-level USB hubs



- > Hi-Speed USB 2.0 for up to 480 Mbps of USB transmission
- > USB-IF certification
- > 15 kV ESD Level 4 protection for all USB ports
- > Comprehensive diagnostic LEDs
- > Full 500 mA of power per port
- > Choose bus power or external power (UPort 204 only)



Introduction

The UPort® 204 and UPort® 207 are entry-level USB 2.0 hubs that expand 1 USB port into 4 and 7 USB ports, respectively. The hubs are designed to provide true USB 2.0 Hi-Speed 480 Mbps data transmission through each port, even for heavy-load applications. The

UPort® 204/207 have received USB-IF Hi-Speed certification and are fully Plug & Play. 500 mA of power per port ensures that your USB devices will function properly, and using 12 to 40 VDC of power makes them ideal for mobile applications. Externally USB hubs provide a broad USB device compatibility.

USB-IF Certification

The UPort® 204/207 USB 2.0 entry-level USB hubs are USB-IF (USB Implementers Forum) certified. USB-IF verifies a number of strict electrical requirements for the Hi-Speed USB operation of USB hubs designed to the USB 2.0 specification. This means that the

UPort® 204/207 support Hi-Speed USB 2.0 for up to 480 Mbps USB transmission, which is compliant with interoperability requirements, has enough power for devices to function, and provides for a successful transition back to high-speed operation from the suspend state.

ESD Level 4 Protection

Electrostatic discharge (ESD) could be as severe as having more than 1,000 volts of ESD with a high rise-time (dv/dt) break through the junction layer of protective devices. In order to avoid serious damage,

Moxa's UPort® 204/207 USB hubs provide ESD level 4 (contact 8 kV, air 15 kV) protection, which increases the quality and value of the user's end-product.

Specifications

USB Interface

- Compliance:** USB 1.1/2.0 compliant
- Upstream:** 1 USB port (Type B connector)
- Downstream:**
 - UPort 204: 4 USB ports, Type A connectors
 - UPort 207: 7 USB ports, Type A connectors
- Speed:** 480 Mbps (Hi-Speed USB) and 12 Mbps (Full-Speed USB)
- Supply Current:** 500 mA max. per channel

Physical Characteristics

- Housing:** Polycarbonate (PC)
- Weight:** Product only:
 - UPort 204: 800 g (1.76 lb)
 - UPort 207: 875 g (1.93 lb)
- Packaged:**
 - UPort 204: 805 g (1.87 lb)
 - UPort 207: 890 g (1.96 lb)
- Dimensions:**
 - UPort 204: 70 x 35 x 120 mm (2.76 x 1.38 x 4.72 in)
 - UPort 207: 80 x 35 x 185 mm (3.15 x 1.38 x 4.72 in)

Environmental Limits

- Operating Temperature:** 0 to 60°C (32 to 140°F)
- Storage Temperature:** -20 to 75°C (-4 to 167°F)
- Ambient Relative Humidity:** 5 to 95% (non-condensing)

Standards and Certifications

- Safety:** UL 508
- EMC:** EN 55022/24, EN 61000-6-2/6-4
- EMI:** CISPR 22, FCC Part 15B Class A
- EMS:**
 - IEC 61000-4-2 ESD: Contact: 8 kV; Air: 15 kV
 - IEC 61000-4-3 RS: 80 MHz to 1 GHz: 10 V/m
 - IEC 61000-4-4 EFT: Power: 2 kV
 - IEC 61000-4-5 Surge: Power: 1 kV
 - IEC 61000-4-6 CS: 150 kHz to 80 MHz: 10 V/m
 - IEC 61000-4-8 PFMF

Green Product: RoHS, CRoHS, WEEE

Power Requirements

- Input Voltage:** 12 to 40 VDC
- Input Current:** UPort 204: 1.21 A @ 12 VDC
UPort 207: 2.17 A @ 12 VDC
- MTBF** (mean time between failures)

Time:

- UPort 204: 1,577,573 hrs
- UPort 207: 1,059,201 hrs
- Standard:** Telcordia (Bellcore), GB

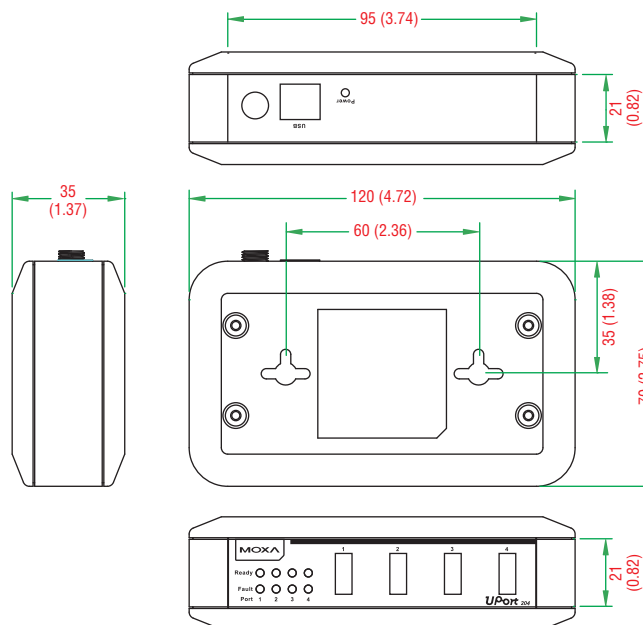
Warranty

- Warranty Period:** 5 years
- Details:** See www.moxa.com/warranty

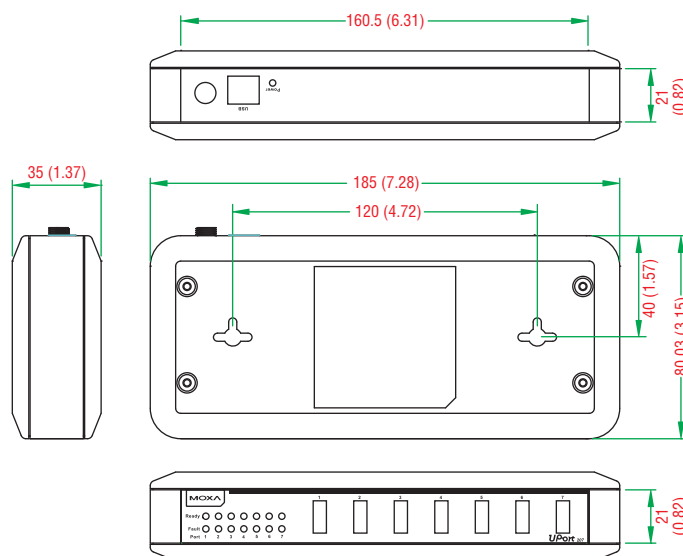
Dimensions

Unit: mm (inch)

UPort® 204



UPort® 207



: Ordering Information

Available Models

UPort 204: 4-port entry-level USB hub, adapter included

UPort 207: 7-port entry-level USB hub, adapter included

Optional Accessories (can be purchased separately)

CBL-USBA/B-100: USB Type A to USB Type B cable, 100 cm

Note: One power adapter suitable for your region is included in the product package. Additional power adapters can be purchased separately. Please refer to the Power Accessory Selection Guide for details.

Package Checklist


- 1 UPort 204 or UPort 207 entry-level USB hub
- USB cable: CBL-USBA/B-100
- 100 to 240 VAC power adapter suitable for your region (excluding T models)
- Quick installation guide (printed)
- Warranty card

Power Accessory Selection Guide

13

Industrial USB > Power Accessory Selection Guide

Barrel Plug Type		Non-locking barrel plug	Locking barrel plug				
O/P		12 VDC, 1.5 A, 100 to 240 VAC	12 VDC, 3 A 100 to 240 VAC (Switch Mode)				
Plug Type		CN	US/JP	EU	AU	UK	CN
Model Name		PWR-12150-CN-S2	PWR-12300-WPUSJP-S1	PWR-12300-WPEU-S1	PWR-12300-WPAU-S1	PWR-12300-WPUK-S1	PWR-12300-WPCN-S1
Appearance							
2 ports	UPort 1250	-	-	-	-	-	-
	UPort 1250I	✓	-	-	-	-	-
	UPort 2210	-	-	-	-	-	-
4 ports	UPort 1410	✓	-	-	-	-	-
	UPort 1450	✓	-	-	-	-	-
	UPort 1450I	✓	-	-	-	-	-
	UPort 2410	-	-	-	-	-	-
	UPort 204	-	✓	✓	✓	✓	✓
	UPort 404	-	✓	✓	✓	✓	✓
7 ports	UPort 207	-	✓	✓	✓	✓	✓
	UPort 407	-	✓	✓	✓	✓	✓
8 ports	UPort 1610-8	✓	-	-	-	-	-
	UPort 1650-8	✓	-	-	-	-	-
16 ports	UPort 1610-16	-	-	-	-	-	-
	UPort 1650-16	-	-	-	-	-	-

Barrel Plug Type		Locking barrel plug					
O/P		12 VDC 2 A, 100 to 240 VAC (desktop type)	2.5A/250 V Power Cord, 183 cm				
Plug Type		Must be used with a power cord	US	JP	EU	AU	UK
Model Name		PWR-12125-DT-S2	PWC-C7US-2B-183	PWC-C7JP-2B-183	PWC-C7EU-2B-183	PWC-C7AU-2B-183	PWC-C7UK-2B-183
Appearance							
2 ports	UPort 1250	✓	✓	✓	✓	✓	✓
	UPort 1250I	✓	✓	✓	✓	✓	✓
	UPort 2210	-	-	-	-	-	-
4 ports	UPort 1410	✓	✓	✓	✓	✓	✓
	UPort 1450	✓	✓	✓	✓	✓	✓
	UPort 1450I	✓	✓	✓	✓	✓	✓
	UPort 2410	-	-	-	-	-	-
	UPort 204	-	-	-	-	-	-
	UPort 404	-	-	-	-	-	-
7 ports	UPort 207	-	-	-	-	-	-
	UPort 407	-	-	-	-	-	-
8 ports	UPort 1610-8	✓	✓	✓	✓	✓	✓
	UPort 1650-8	✓	✓	✓	✓	✓	✓
16 ports	UPort 1610-16	✓	✓	✓	✓	✓	✓
	UPort 1650-16	✓	✓	✓	✓	✓	✓