

V2201 Series

Fanless, ultra-compact, rugged x86 IIoT embedded computer



- > Intel Atom E3800 series processor with three performance options
- > -40 to 85°C system operating temperature (-40 to 70°C with LTE module installed)
- > Dual mini-PCIe sockets for wireless modules, supports W-iFi, 3G, LTE, GPS, and Bluetooth
- > Variety of interfaces: 2 serial ports, 2 Ethernet LAN port, 4 DIs, 4 DOs, SD, USB, HDMI, wireless
- > EN 61000-6-2 and EN 61000-6-4 certification*; meets EMC standard for heavy industry
- > Up to 5 Grms anti-vibration and 100-g anti-shock
- > Ready-to-run Debian 8 and Windows Embedded Standard 7 platforms
- > Moxa Proactive Monitoring utility for system hardware health monitoring
- > Moxa Smart Recovery utility to recover system from boot failure (W7E only)

*Passed with AC/DC adapter.



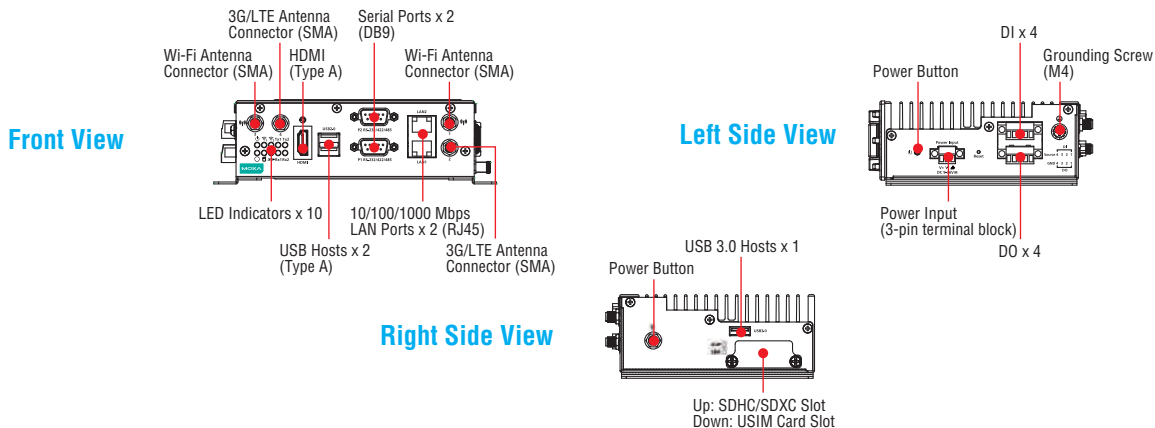
Overview

The Moxa V2201 series ultra-compact x86 embedded computer is based on the Intel® Atom™ E3800 series processor, features the most reliable I/O design to maximize connectivity, and supports dual wireless modules, making it suitable for a diverse range of communication applications. The computer's thermal design ensures reliable system operation in temperatures ranging from -40 to 85°C (-40 to 70°C with a special purpose Moxa wireless module installed). The V2201 series supports "Moxa Hardware Monitoring" for device I/O status monitoring and alerts, system temperature monitoring and alerts, and system power management. Monitoring system status closely makes it easier to recover from errors and provides the most reliable platform for your applications.

Applications:

- Remote Terminal Unit (RTU)
- Data acquisition
- M2M communication (smart gateway)
- Digital signage
- Factory automation
- In-vehicle monitor/data logger (transportation)
- Programmable router
- Energy usage optimization
- Predictive maintenance
- Asset management

Appearance



Hardware Specifications

Computer

CPU:

V2201-E1 Series: Intel® Atom™ Processor E3815 (Single Core, 512K Cache, 1.46 GHz)

V2201-E2 Series: Intel® Atom™ Processor E3826 (Dual Core, 1M Cache, 1.46 GHz)

V2201-E4 Series: Intel® Atom™ Processor E3845 (Quad Core, 1M Cache, 1.91 GHz)

OS: Windows Embedded Standard 7 64-bit or Linux Debian 8 64-bit

System Memory: 1 DDR3 SO-DIMM slot, 8 GB max.

- E3815 and E3826 support DDR3L-1066
- E3845 supports DDR3L-1333

USB: 1 bootable USB 3.0 port, 2 bootable USB 2.0 ports (type A)

Storage

mSATA: 1 internal mini-PCIe socket for OS storage

SD: 1 SD 3.0 (SDHC/SDXC) socket for storage expansion*

*W7E only supports SD 2.0

Audio

Output: Line-out interface (together with HDMI)

Other Peripherals

Expansion Slot: 2 Mini-PCIe sockets

- 1 USB signal, for Sierra Wireless 3G/LTE module
- 1 USB + PCIe signal

USIM: 1 USIM slot

Display

Graphics Controller: Intel® HD (integrated)

Connector Type: 1 HDMI connector (type A)

Display Interface: Supports HDMI 1.4a, 1920 x 1080 pixels @ 60/24 Hz

Ethernet Interface

LAN: Auto-sensing 10/100/1000 Mbps ports (RJ45) x 2

Isolation Protection: 1.5 kV

Wireless SMA Interface

Wi-Fi: 2 SMA connectors

3G/LTE: 2 SMA connectors

GPS: 1 SMA connector

Serial Interface

Serial Standards: RS-232/422/485 software selectable ports (DB9 male) x 2

Serial Communication Parameters

Data Bits: 5, 6, 7, 8

Stop Bits: 1, 1.5, 2

Parity: None, Even, Odd, Space, Mark

Flow Control: RTS/CTS, XON/XOFF

Baudrate: 50 bps to 115.2 kbps

Serial Signals

RS-232: TxD, RxD, DTR, DSR, RTS, CTS, DCD, GND

RS-422: TxD+, TxD-, RxD+, RxD-, GND

RS-485-4w: TxD+, TxD-, RxD+, RxD-, GND

RS-485-2w: Data+, Data-, GND

Digital Input

Input Channels: DI x 4

Input Voltage: 0 to 30 VDC at 25 Hz

Digital Input Levels for Dry Contacts:

Logic level 0: Close to GND

Logic level 1: Open

Digital Input Levels for Wet Contacts:

Logic level 1: +3 V max.

Logic level 0: +10 V to +30 V (Source to DI)

Connector Type: 10-pin screw-fastened Euroblock terminal

Isolation: 3 kV optical isolation

Digital Output

Output Channels: DO x 4, sink type

Output Current: Max. 200 mA per channel

On-State Voltage: 24 VDC nominal, open collector to 30 VDC

Connector Type: 10-pin screw-fastened Euroblock terminal

Isolation: 3 kV optical isolation

LEDs

System: Power, user-defined

Storage: mSATA, SD

LAN: 2 LEDs per port (100/1000 Mbps)

Serial: 2 LEDs per port (Tx and Rx)

Wireless: Mini-PCIe 1, Mini-PCIe 2

Switches and Buttons

Power Switch: on/off (left-side panel)

Reset Button: For warm reboot (left-side panel)

Physical Characteristics

Housing: Aluminum

Weight: 940 g (2.09 lb)

Dimensions:

Without ears: 150 x 48.8 x 120.2 mm (5.91 x 1.92 x 4.73 in)

With ears: 178 x 52.5 x 120.2 mm (7.01 x 2.07 x 4.73 in)

Mounting: DIN rail, wall

Environmental Limits

Operating Temperature:

• E1/E2 models: -40 to 85°C (-40 to 185°F)

• E4 models: -40 to 70°C (-40 to 158°F)

• E1-W/E2-W/E4-W models with Moxa recommended wireless modules (3G/LTE + Wi-Fi) installed: -40 to 70°C (-40 to 158°F)

Storage Temperature: -40 to 85°C (-40 to 185°F)

Ambient Relative Humidity: 5 to 95% (non-condensing)

Anti-Vibration: IEC 60068-2-64: 5 Grms, 5 Hz to 500 Hz, 1 hr/axis w/ mSATA, SD

Anti-Shock: IEC 60068-2-27: 100 g/11 ms ±X, ±Y, ±Z, 3 shocks each axis w/ mSATA, SD

Power Requirements

Input Voltage: 9 to 36 VDC (3-pin terminal block for V+, V-, SG)

Input Current: 2 A @ 9 VDC

Power Consumption: 18 W

Standards and Certifications

Safety: UL 60950-1, CSA C22.2 No. 60950-1-03 (60950-1-07), EN 60950-1, UL 508

EMC: EN 55022/24, EN 61000-6-2/6-4*

*Passed with AC/DC adapter.

EMI: CISPR 22, FCC Part 15B Class A

EMS:

IEC 61000-4-2 ESD: Contact: 6 kV; Air: 8 kV

IEC 61000-4-3 RS: 80 MHz to 1 GHz: 20 V/m

IEC 61000-4-4 EFT: Power: 2 kV; Signal: 2 kV

IEC 61000-4-5 Surge: Power: 2 kV; Signal: 1 kV

IEC 61000-4-6 CS: 10 V

IEC 61000-4-8

Green Product: RoHS, CRoHS, WEEE

Reliability

Automatic Reboot Trigger: Software-programmable watchdog timer configurable from 1 to 255 seconds

MTBF (mean time between failures)

Time: 408,275 hrs

Standard: Telcordia (Bellcore) Standard TR/SR

Warranty

Warranty Period: 3 years

Details: See www.moxa.com/warranty

Note: These hardware specifications describe the embedded computer unit itself, but not its official accessories. In particular, the wide temperature specification does not apply to accessories such as power adapters and cables.

Software Specifications

Linux

OS: Linux Debian 8 64-bit

Terminal Server (SSH): Provides secure encrypted communications between two untrusted hosts over an unsecure network

File System: EXT2, EXT3, EXT4

Internet Protocol Suite: TCP, UDP, IPv4, IPv6, SNMPv2, ICMP, ARP, HTTP, CHAP, PAP, DHCP, NTP, NFS, SSH, PPP, SFTP, RSYNC, SSL

Internet Security: OpenVPN, IPTables

Secure Shell for Remote Access: SSH allows remote logins to a secure encrypted console from any connected network

Watchdog: Features a hardware function to trigger system reset in a user specified time interval (Linux standard API)

Embedded Self-Health Maintenance Software: Moxa Proactive Monitoring

Windows Embedded Standard 7

Core OS:

- 64-bit support
- Remote Client
- Remote Procedure Call

Applications and Services Development:

- Remote Desktop Protocol 7.1
- COM OLE Application Support
- COM+ Application Support
- MSMQ

Internet Services:

- Internet Explorer 8.0
- IIS 7.0

Diagnostics:

- Common Diagnostic Tools
- Problem Reports and Solutions

Fonts: Western, Middle Eastern, South East Asian, and South Asian

Graphics and Multimedia:

- MPEG Layer-3 Audio Codecs (MP3)
- MPEG4 Decoders
- DirectX and Windows Device Experience

Management:

- Group Policy Management
- Windows Management Instrument (WMI)
- Windows Update

Networking:

- Extensible Authentication Protocol (EAP)
- Internet Authentication Service
- Telnet Server
- Bluetooth
- Domain Services
- Network Access Protection
- Network and Sharing Center
- Quality of Service
- Remote Access Service (RAS)
- Telephony API Client
- Windows Firewall
- Wireless Networking

Security:

- Credential Roaming Service
- Credentials and Certificate Management
- Windows Authorization Manager (AZMAN)
- Windows Security Center
- Active Directory Rights Management
- Security Base
- Encrypted File System (EFS)

Embedded Features:

- Enhanced Write Filter (EWF)
- File-Based Write Filter (FBWF)
- Registry Filter
- WSDAPI for .NET

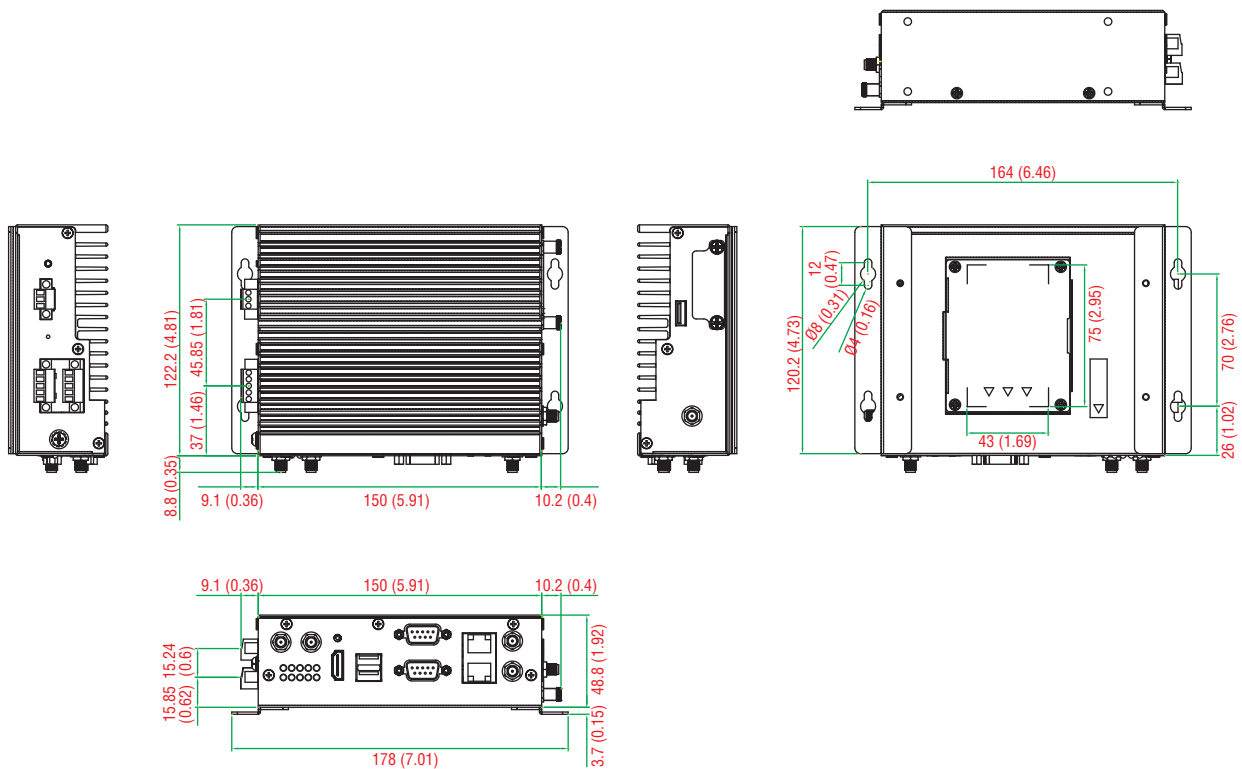
File Systems and Data Store:

- Windows Data Access Components
- Windows Backup and Restore

Maintenance: Moxa Proactive Monitoring and Moxa Smart Recovery

Dimensions

Unit: mm (inch)



Ordering Information

Pre-Configured Models

Model Name	Must select for system to work				Pre-Configured Models											
	CPU	RAM	mSATA	OS	SD	HDMI	LAN	Serial	DI/O	USB 3.0/2.0	USIM slot	Expansion Socket	Wireless Connector	LTE Heat Sink	Operating Temp.	LTE Operating Temp.
V2201-E1-T-LX	E3815	2 GB	8 GB	Debian 8	-	1	2	2	4/4	1/2	1	2	-	-	-40 to 85°C	-
V2201-E1-T-W7E	E3815	4 GB	8 GB	W7E	-	1	2	2	4/4	1/2	1	2	-	-	-40 to 85°C	-

CTO Models

Model Name	Must select for system to work				CTO Models											
	CPU	RAM (CTO*)	mSATA (CTO*)	OS (CTO*)	SD (CTO*)	HDMI	LAN	Serial	DI/O	USB 3.0/2.0	USIM slot	Expansion Socket	Wireless Connector	LTE Heat Sink	Operating Temp.	LTE Operating Temp.
V2201-E1-T	E3815	Default 4 GB	Default 8 GB	Default N/A	Default N/A	1	2	2	4/4	1/2	1	2	-	-	-40 to 85°C	-
V2201-E2-T	E3826	2 or 8 GB optional)	16 or 32 GB optional)	(Debian 8 or W7E optional)	(8, 16, 32, or 64 GB optional)	1	2	2	4/4	1/2	1	2	-	-	-40 to 85°C	-
V2201-E4-T	E3845					1	2	2	4/4	1/2	1	2	-	-	-40 to 70°C	-
V2201-E1-W-T	E3815					1	2	2	4/4	1/2	1	2	5	1	-40 to 85°C	-40 to 70°C
V2201-E2-W-T	E3826	1	2	2	4/4	1/2	1	2	5	1	-40 to 85°C	-40 to 70°C				
V2201-E4-W-T	E3845	1	2	2	4/4	1/2	1	2	5	1	-40 to 70°C	-40 to 70°C				

*CTO = Configured To Order

Note:

Refer to the Component Compatibility Guide (CCG) for the list of components that Moxa has validated to be compatible with this product. You can download the CCG from the Moxa product website. For components with a Moxa P/N, you can order the components together with your product from Moxa and we will install the selected components in your product. Moxa guarantees the compatibility of the components installed in CTO products.

Package Checklist

- V2201 embedded computer
- Terminal block to power jack converter
- Wall-mounting kit
- Documentation and software CD or DVD
- Quick installation guide (printed)
- Warranty card