

# V2426A Series

**Compact, fanless, anti-vibration railway computer**



- > Intel Celeron/Intel Core i7 processor suitable for diverse computing demands
- > 2 peripheral expansion slots for various I/O, WLAN, mini-PCIe expansion module cards
- > Dual independent DVI-I displays
- > 2 gigabit Ethernet ports with M12 X-coded connectors
- > 1 SATA connector and CFast socket for storage expansion
- > M12 A-coded power connector
- > Compliant with EN 50121-4
- > Complies with a portion of EN 50155 specifications
- > Ready-to-run Windows Embedded Standard 7 or Linux Debian 7 platform
- > -40 to 70°C wide temperature models available
- > Supports SNMP-based system configuration, control, and monitoring (Windows Embedded Standard 7 only)



## Overview

The V2426A Series embedded computers are based on the Intel 3rd generation processor, and feature 4 RS-232/422/485 serial ports, dual LAN ports, 3 USB 2.0 hosts, and dual DVI-I outputs. In addition, the V2426A Series computers comply with a portion of EN 50155 specifications, covering operating temperature, power input voltage, surge, ESD, and vibration, making them suitable for a variety of industrial applications.

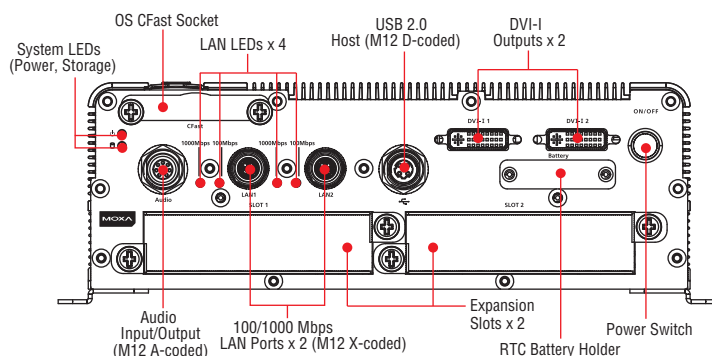
The dual megabit/gigabit Ethernet ports with M12 X-coded connectors offer a reliable solution for network redundancy, promising continuous operation for data communication and management. As an added convenience, the V2426A computers have 6 DIs and 2 DOs for connecting digital input/output devices. In addition, the CFast socket, SATA connector, and USB sockets provide the V2426A computers with the reliability needed for industrial applications that require data

buffering and storage expansion. Moreover, the V2426A computers come with 2 peripheral expansion slots for inserting different communication modules (2-port CAN module, or HSDPA, GPS, or WLAN module), an 8+8-port digital input/output module, and a 2-port serial module, giving greater flexibility for setting up different industrial applications at field sites.

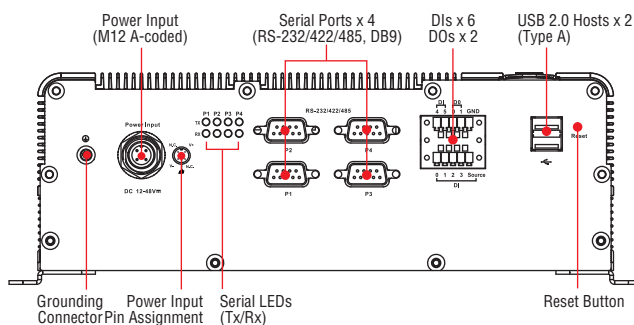
Pre-installed with Linux Debian 7 or Windows Embedded Standard 7, the V2426A Series provides programmers with a friendly environment for developing sophisticated, bug-free application software at a low cost. Wide temperature models of the V2426A Series that operate reliably in a -40 to 70°C operating temperature range are also available, offering an optimal solution for applications subjected to harsh environments.

## Appearance

Front View



Rear View



Hardware Specifications

Computer

CPU:

- Intel Celeron 1047UE processor (2M cache, 1.40 GHz) for the V2406A-C2 series
- Intel Core i7-3517UE processor (6M cache, 1.7 GHz) for the V2406A-C7 series

OS: Windows Embedded Standard 7 or Linux Debian 7

System Chipset: Mobile Intel® HM65 Express

System Memory: 1 DDR3-1600 SO-DIMM SDRAM slot, 8 GB max., 4 GB pre-installed

USB: USB 2.0 hosts x 3 (Type A connectors x 2, M12 D-coded x 1)

Storage

HDD/SSD Support: 1 internal SATA-II bus for 2.5-inch HDD/SSD storage expansion\*

\*Storage drive not included. Must be purchased separately.

CFast Support: 1 slot for OS\*, 1 slot for backup storage

\*32-bit W7E requires at least an 8 GB CFast card

\*64-bit W7E requires at least a 16 GB CFast card (optional)

\*Linux Debian 7 requires at least an 8 GB CFast card (to be purchased separately)

Other Peripherals

Audio: Line-in, line-out interface (M12 A-coded)

Expansion Slot: 2 peripheral expansion slots

Display

Graphics Controller: Intel® HD Graphics 4000 (integrated)

Connector Type: 2 DVI-I connectors

Display Interface:

DVI up to 1920x1200 resolution @ 60 Hz

VGA up to 1920x1200 resolution @ 60 Hz

VGA up to 2048x1536 resolution @ 75 Hz

Ethernet Interface

LAN: Auto-sensing 10/100/1000 Mbps ports (M12 X-coded) x 2

Isolation Protection: 1.5 kV

Serial Interface

Serial Standards: 4 RS-232/422/485 ports, software selectable (DB9 male)

ESD Protection: 4 kV for all signals

Isolation Protection: 1.5 kV

Serial Communication Parameters

Data Bits: 5, 6, 7, 8

Stop Bits: 1, 1.5, 2

Parity: None, Even, Odd, Space, Mark

Flow Control: RTS/CTS, XON/XOFF, ADDC® (automatic data direction control) for RS-485

Baudrate: 50 bps to 921.6 kbps (non-standard baudrates supported; see user's manual for details)

Serial Signals

RS-232: TxD, RxD, DTR, DSR, RTS, CTS, DCD, GND

RS-422: TxD+, TxD-, RxD+, RxD-, GND

RS-485-4w: TxD+, TxD-, RxD+, RxD-, GND

RS-485-2w: Data+, Data-, GND

Digital Input

Input Channels: 6

Input Voltage: 0 to 30 VDC at 25 Hz

Digital Input Levels for Dry Contacts:

- Logic level 0: Close to GND
- Logic level 1: Open

Digital Input Levels for Wet Contacts:

- Logic level 0: +3 V max.
- Logic level 1: +10 V to +30 V (Source to DI)

Isolation: 3 kV optical isolation

Digital Output

Output Channels: 2, sink type

Output Current: Max. 200 mA per channel

On-State Voltage: 24 VDC nominal, open collector to 30 VDC

Connector Type: 10-pin screw-fastened Euroblock terminal (6 inputs, 2 outputs, DI Source, GND)

Isolation: 3 kV optical isolation

LEDs

System: Power, Storage

LAN: 2 per port (10/100/1000 Mbps)

Serial: 2 per port (Tx and Rx)

Switches and Buttons

Power Switch: on/off (front panel)

Reset Button: For warm reboot (rear panel)

Physical Characteristics

Housing: Aluminum

Weight: 3 kg (6.67 lb)

Dimensions:

Without ears: 250 x 86 x 154 mm (9.84 x 3.38 x 6.06 in)

With ears: 275 x 92 x 154 mm (10.83 x 3.62 x 6.06 in)

Mounting: Wall, DIN rail (optional), VESA (optional)

Environmental Limits

Operating Temperature\*:

Standard models: -25 to 55°C (-13 to 131°F)

Wide temp. models: -40 to 70°C (-40 to 158°F)

Storage Temperature\*: -40 to 85°C (-40 to 185°F)

\*without HDD installed

Ambient Relative Humidity: 5 to 95% (non-condensing)

Anti-Vibration: EN 50155 standard

Anti-Shock: EN 50155 standard

Conformal Coating: Available on request

Power Requirements

Input Voltage: 12 to 48 VDC (M12 A-coded)

Note: Compliant with EN 50155 at 24 VDC

Input Current:

• 3.78 A @ 12 VDC

• 0.96 A @ 48 VDC

Power Consumption: 47 W

### Standards and Certifications

**Safety:** UL 60950-1, EN 60950-1

**EMC:** EN 55022/24

**EMI:** CISPR 22, FCC Part 15B Class A

**EMS:**

IEC 61000-4-2 ESD: Contact 6: kV; Air: 8 kV

IEC 61000-4-3 RS: 80 MHz to 1 GHz: 20 V/m

IEC 61000-4-4 EFT: Power: 2 kV; Signal: 2 kV

IEC 61000-4-5 Surge: Power: 2 kV; Signal: 2 kV

IEC 61000-4-6 CS: 10 V

IEC 61000-4-8

**Green Product:** RoHS, CRoHS, WEEE

**Rail Traffic:** EN 50155\*, EN 50121-3-2, EN 50121-4, IEC 60571

\*Complies with a portion of EN 50155 specifications. Please contact Moxa or a Moxa distributor for details.

### Reliability

**Automatic Reboot Trigger:** Software-programmable watchdog timer configurable from 1 to 255 seconds

**MTBF** (mean time between failures)

**Time:** 304,998 hrs

**Standard:** Telcordia (Bellcore) Standard TR/SR

### Warranty

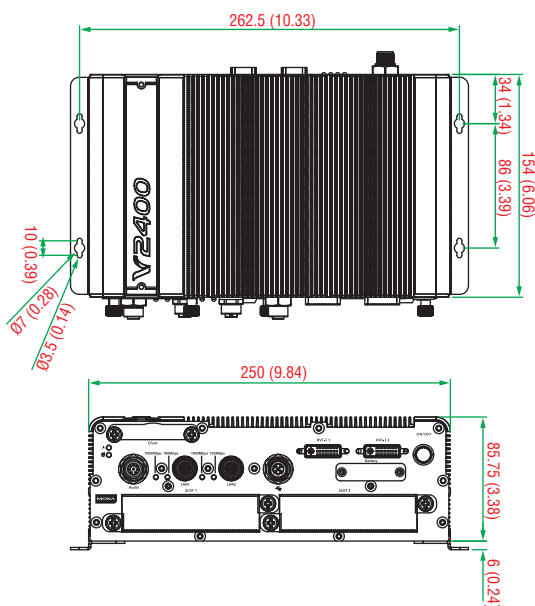
**Warranty Period:** 3 years

**Details:** See [www.moxa.com/warranty](http://www.moxa.com/warranty)

**Note:** These hardware specifications describe the embedded computer unit itself, but not its official accessories. In particular, the wide temperature specification does not apply to accessories such as power adapters and cables.

### Dimensions

Unit: mm (inch)



### Software Specifications

#### Linux

**OS:** Linux Debian 7

**Web Server (Apache):** Allows you to create and manage web sites; supports PHP and XML

**Terminal Server (SSH):** Provides secure encrypted communications between two un-trusted hosts over an insecure network

**File System:** EXT 4

**Internet Protocol Suite:** TCP, UDP, IPv4, SNMPv1/v2c/v3, ICMP, ARP, HTTP, SSH 1.0/2.0, SSL, DHCP, NTP, NFS, Telnet, FTP, TFTP, PPP, PPPoE

**Internet Security:** OpenVPN, Netfilter/iptables

**Secure Shell for Remote Access:** SSH allows remote logins to a secure encrypted console from any connected network dial-up

**Dial-up Networking:** PPP Daemon for Linux that allows Unix machines to connect to the Internet through dialup lines, using the PPP protocol, as a PPP server or client. Works with 'chat', 'dip', and 'diald', among (many) others. Supports IP, TCP, UDP, and (for Linux) IPX (Novell).

**File Server:** Enables remote clients to access files and other resources over the network

**Watchdog:** A watchdog timer that triggers a system reset upon software freezes, for both specific applications and system-wide failures.

#### Application Development Software:

- Moxa API Library (Watchdog timer, Moxa serial I/O control)
- GNU C library
- Perl

#### Windows Embedded Standard 7

##### Core OS:

- 32-bit or 64-bit supported
- Remote Client
- Remote Procedure Call

##### Applications and Services Development:

- .Net Framework 4.5
- Remote Desktop Protocol 7.1
- COM OLE Application Support
- COM+ Application Support
- MSMQ

##### Internet Services:

- Internet Explorer 11
- IIS 7.0

##### File Systems and Data Storage:

- Windows Data Access Components
- Windows Backup and Restore

**Diagnostics:**

- Common Diagnostic Tools
- Problem Reports and Solutions

**Fonts:** Chinese (Trad. and Simp.), Japanese, Korean, Western, Middle Eastern, South East Asian, and South Asian Fonts

**Graphics and Multimedia:**

- MPEG DTV-DVD Audio Decoder (MPEG-2, AAC)
- MPEG Layer-3 Audio Codecs (MP3)
- MPEG4 Decoders
- Windows Media Video VC-1 (WMV) Codecs
- DirectX and Windows Device Experience
- Windows Media Player 12

**Management:**

- Group Policy Management
- Windows Management Instrument (WMI)
- Windows Update

**Networking:**

- Extensible Authentication Protocol (EAP)
- Internet Authentication Service
- Telnet Server
- Bluetooth
- Domain Services
- Network Access Protection

- Network and Sharing Center
- Quality of Service
- Remote Access Service (RAS)
- Telephony API Client
- Windows Firewall
- Wireless Networking

**Security:**

- Credential Roaming Service
- Credentials and Certificate Management
- Windows Authorization Manager (AZMAN)
- Windows Security Center
- Active Directory Rights Management
- Security Base
- Encrypted File System (EFS)

**Embedded Features:**

- Enhanced Write Filter (EWF)
- File-Based Write Filter (FBWF)
- Message Box Default Reply
- Registry Filter
- WSDAPI for .NET

**Embedded Self-Health Diagnostic Software:** SNMP-based remote scripting layer for monitoring, reporting, and control

**SmartRecovery:** BIOS level system recovery tool

**Ordering Information**

Type	CTO Models						Pre-Configured Models		
Model	V2426A-C2	V2426A-C2-T	V2426A-C2-CT-T	V2426A-C7	V2426A-C7-T	V2426A-C7-CT-T	V2426A-C2-W7E	V2426A-C2-T-W7E	V2426A-C7-T-W7E
<b>Computer</b>									
CPU	Intel Celeron 1047UE 1.4 GHz			Intel Core i7-3517UE 1.7 GHz			Intel Celeron 1047UE 1.4 GHz		Intel Core i7-3517UE 1.7 GHz
Operating System (CTO*)	Optional Note: Windows Embedded Standard 7 (32-bit/64-bit) or Linux Debian 7 (64-bit)						Windows Embedded Standard 7 (32-bit)		
Memory (CTO*)	4 GB pre-installed, can be upgraded to 8 GB						4 GB pre-installed		
USB	USB 2.0 (Type A) x 2 USB 2.0 (M12 D-coded) x 1								
Power Input Voltage	12 to 48 VDC (M12 A-coded)								
<b>Storage</b>									
OS CFast Storage (CTO*)	Optional Note: 32-bit W7E requires at least an 8 GB CFast card, 64-bit W7E requires at least a 16 GB CFast card, and 64-bit Debian7 requires at least an 8 GB CFast card						8 GB CFast card pre-installed		
Backup CFast Storage (CTO*)	Optional								
SSD / HDD Storage (CTO*)	SSD / HDD to be purchased separately Note: Anti-vibration storage kit (FK-75125-02) must be purchased separately to install an SSD / HDD								
<b>Interface</b>									
Display Interface	DVI-I x 2								
Audio Interface	Line in/out (M12 A-coded) x 1								
Ethernet Interface	10/100/1000 Mbps (M12 X-coded) x 2								
Serial Ports	RS-232/422/485 (DB9) x 4								
Digital Input Channels	6								
Digital Output Channels	2								
<b>Environmental Limits</b>									
Operating Temperature	T1: -25 to 55°C	TX: -40 to 70°C		T1: -25 to 55°C	TX: -40 to 70°C		T1: -25 to 55°C	TX: -40 to 70°C	
Conformal Coating	-		Yes	-		Yes	-		
<b>Other Peripherals</b>									
Peripheral Expansion Card	Peripheral expansion slots x 2 Note: Peripheral expansion cards must be purchased separately. Please refer to the "Peripheral Expansion Modules" table below.								

\*CTO = Configure To Order

Note:

Please refer to the Component Compatibility Guide (CCG) for the list of components that Moxa has validated to be compatible with this product. You can download the CCG from the Moxa product website. For components with a Moxa P/N, you can order the components together with your product from Moxa and we will install the selected components in your product. Moxa guarantees the compatibility of the components installed in your product through CTO.






**Package Checklist**

- V2426A embedded computer
- Wall-mounting kit
- Documentation and software CD or DVD
- Quick installation guide (printed)
- Warranty card

**Optional Accessories (can be purchased separately)**





Type	Model Name	Description
<b>Ethernet</b>		
 Cable & Connector	CBL-M12XMM8PRJ45-BK-100-IP67	8-pin male X-coded M12-to-RJ45 Cat-5E UTP gigabit Ethernet cable, 1 meter, IP67-rated
 Connector	M12X-8PMM-IP67	8-pin male X-coded circular threaded gigabit Ethernet connector, IP67-rated (for field installation)
<b>Mounting Kits</b>		
 Isolated Wall Wall-mounting	V2400 Isolated Wall-mounting Kit	Wall-mounting kit with isolation protection, including two wall-mounting brackets and four screws
 DIN-Rail Mounting Kit	DK-DC50131-01	DIN-rail mounting kit, including two DIN-rail brackets and eight screws
<b>Power</b>		
 Cable	CBL-M12(FF5P)/Open-100 IP67	5-pin female A-coded M12 power cable, 1 meter, IP67-rated
 Connector	M12A-5P-IP68	5-pin male circular threaded A-coded M12 power connector, IP68-rated (for field installation)
 Adapter	PWR-24250-DT-S1	Power adapter for testing and system development in the office under ambient temperature conditions: Input: 100 to 240 VAC, 50 to 60 Hz, 1.5 A Output: 24 VDC, 2.5 A, 60 W
 Power Cord	PWC-C7US-2B-183	Power cord with 2-pin connector, USA plug
 Power Cord	PWC-C7EU-2B-183	Power cord with 2-pin connector, Euro plug
 Power Cord	PWC-C7UK-2B-183	Power cord with 2-pin connector, British plug
 Power Cord	PWC-C7AU-2B-183	Power cord with 2-pin connector, Australia plug
 Power Cord	PWC-C7CN-2B-183	Power cord with 2-pin connector, China plug
<b>Audio</b>		
 Connector	M12A-8PMM-IP67	8-pin male circular threaded A-coded M12 connector, IP67-rated (for field-installation)
<b>USB</b>		
 Connector	M12A-5PMM-IP68	5-pin male circular threaded D-coded M12 USB connector, IP68-rated
<b>Storage Kit</b>		
 Internal Storage Kit	FK-75125-02	Hard disk installation package (for HDD, SSD, EN 50155) (only available for the V2406A and V2426A series)
<b>Battery</b>		
 Battery Kit	RTC Battery Kit	Lithium battery with built-in connector for easy replacement

## Peripheral Expansion Modules

	Model name	Description
	EPM-DK02	2 mini PCIe slots, -25 to 55°C operating temperature when used with a Moxa recommended wireless module <b>Note: See the "Wireless Accessory Packages" table below to select a wireless accessory package.</b>
	EPM-DK03	GPS receiver with 2 mini PCIe slots, -25 to 55°C operating temperature when used with a Moxa recommended wireless module (3G x 1 + WiFi x 1) <b>Note: See the "Wireless Accessory Packages" table below to select a wireless accessory package.</b>
	EPM-3032	2 isolated RS-232/422/485 ports with DB9 connectors, -40 to 70°C operating temperature
	EPM-3112	2 isolated CAN ports with DB9 connectors, -25 to 55°C operating temperature
	EPM-3438	8 DIs and 8 DOs, with 3 kV digital isolation protection, 2 kHz counter, -40 to 70°C operating temperature

## Wireless Accessory Packages

Note: These packages are for the EPM-DK02 and EPM-DK03 only

Type	Model Name	Item	Description
	EPM-DK Wi-Fi Package	Mini-PCIe Card	SprakLAN WPEA-121N Wi-Fi mini card x 1, bracket x 1, silver screws x 2, black screws x 4
		Digital Interface	Mini card internal antenna with QMA connectors x 2, locking washers x 2, O-rings x 2, nuts x 2
	EPM-DK 3G Package	Mini-PCIe Card	Gemalto PHS8-P 3G mini card x 1, black screws x 4
		Thermal Pad	Cellular mini card thermal pad x 1
		Digital Interface	Mini card internal antenna with QMA connector x 1, locking washer x 1, O-ring x 1, nut x 1
	EPM-DK LTE-US Package	Mini-PCIe Card	Gemalto PLS8-US LTE mini card x 1, black screws x 4
		Thermal Pad	Cellular mini card thermal pad x 1
	EPM-DK LTE-EU Package	Mini-PCIe Card	Gemalto PLS8-E LTE mini card x 1, black screws x 4
		Thermal Pad	Cellular mini card thermal pad x 1
		Digital Interface	Mini card internal antenna with QMA connector x 1, locking washer x 1, O-ring x 1, nut x 1
	A-CRF-CTPSF-R2-50	GPS Extension Cable	TNC to SMA (female) adapter with 50 cm cable x 1
	ANT-GPS-OSM-05-3M	GPS External Antenna	26 dBi, 1572 MHz, L1 band SMA antenna x 1
	A-CRF-MHFQMAF-D1.13-14.2	Digital Interface	Mini card internal antenna with QMA connector x 1, locking washer x 1, O-ring x 1, nut x 1
	ANT-WDB-ARM-02	Wi-Fi External Antenna	Wi-Fi external antenna with SMA connector x 1
	ANT-WCDMA-AHSM-04-2.5m	3G External Antenna	3G external antenna with SMA connector x 1
	ANT-LTEUS-ASM-01	LTE-US External Antenna	LTE-US external antenna with SMA connector x 1
	ANT-LTE-ASM-02	LTE-EU External Antenna	LTE-EU external antenna with SMA connector x 1
	A-CRF-RFQMAM-R2-50	Wi-Fi Extension Cable	QMA (male) to SMA (male) adapter with 50 cm cable x 1
	A-CRF-QMAMSF-R2-50	Cellular Extension Cable	QMA (male) to SMA (female) adapter with 50 cm cable x 1