

Pole-mounting Kits

Pole-mounting kit



Features and Benefits

- Enables pole-mounting for outdoor AWK Series access points

Introduction

The Pole-mounting Kits Series is a set of installation kits allowing supported AWK Series products to be mounted on a pole for added deployment flexibility.

Specifications

Physical Characteristics

Material	ADC12 (aluminum alloy)
Body Color	Silver

Warranty

Warranty Period	1 year
Details	See www.moxa.com/warranty

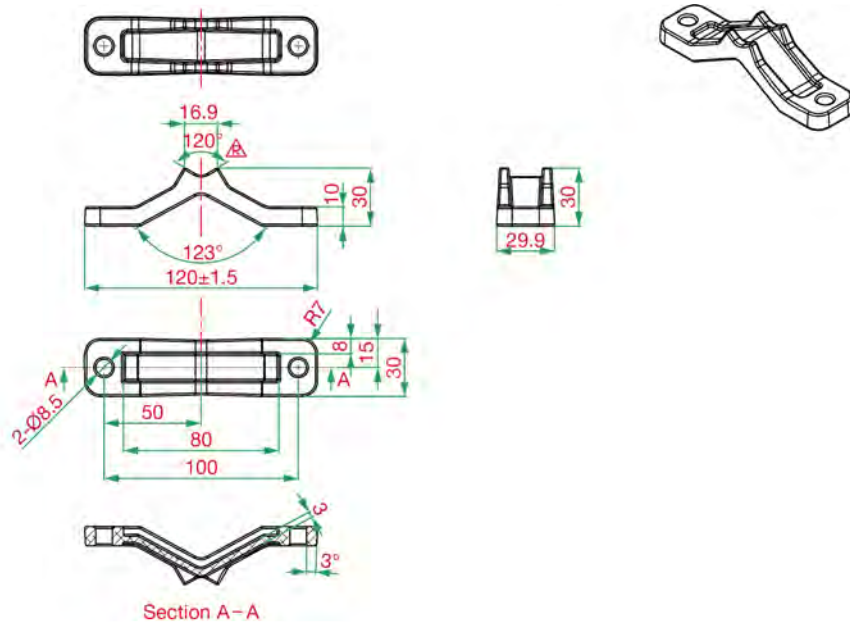
Package Contents

Installation Kit	<ul style="list-style-type: none">3 x PK-DC2DOF components2 x M8 screws (length: 80 mm)1 x M8 screws (length: 90 mm)1 x M8 nut3 x M8 washers3 x M8 spring washers4 x M5 screws4 x M5 washers4 x M5 spring washers
------------------	---

Dimensions

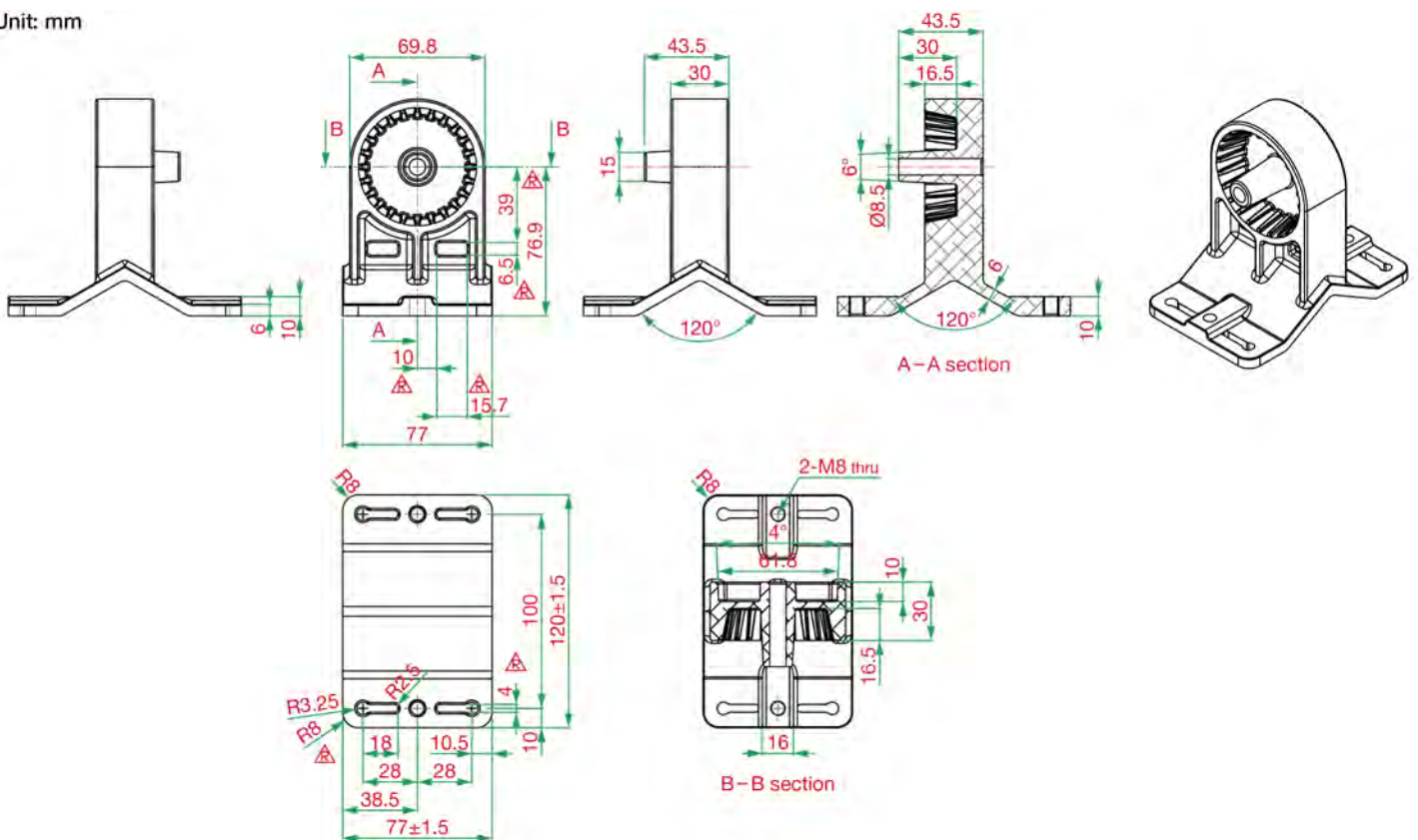
PK-DC2DOF Mounting Clamp

Unit: mm



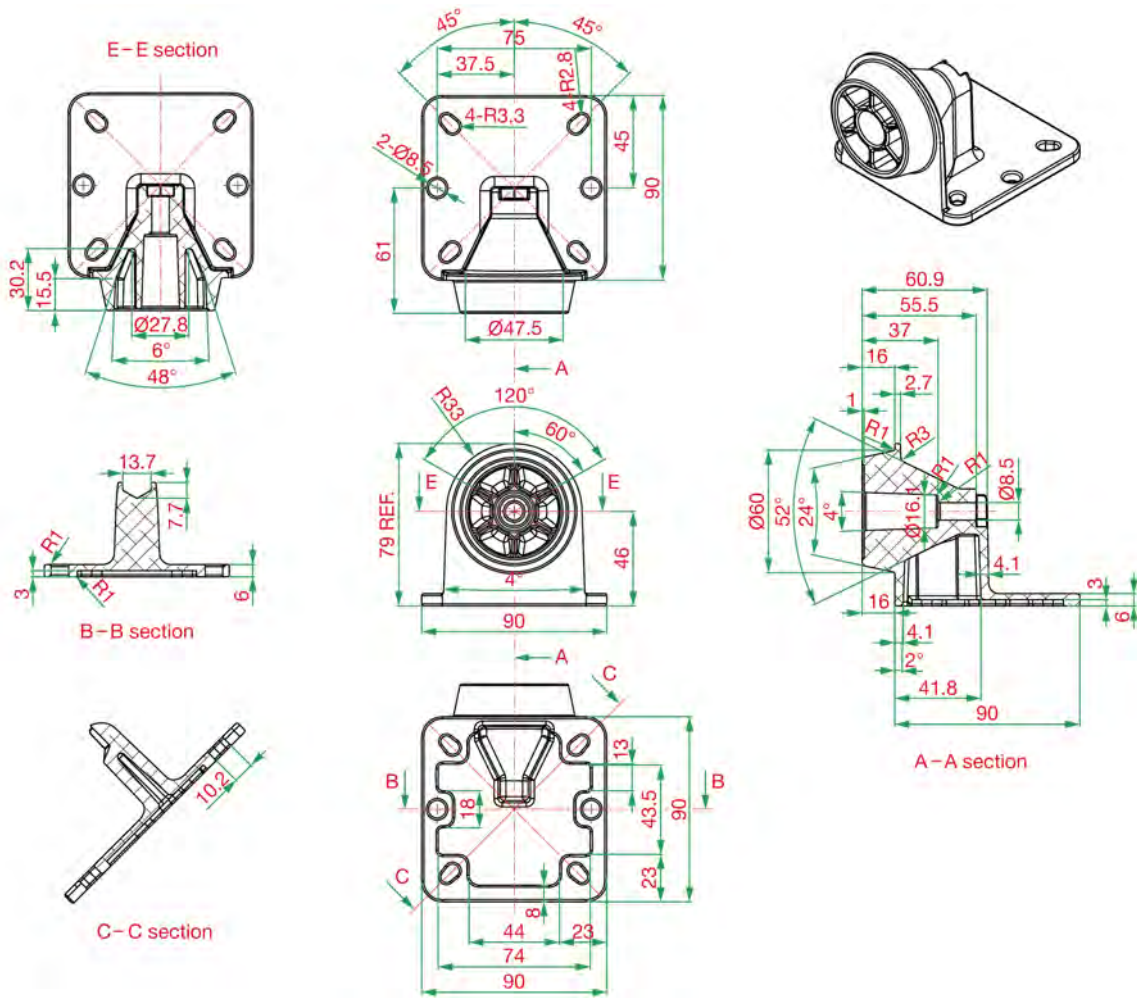
PK-DC2DOF Mounting Ring

Unit: mm



PK-DC2DOF Mounting Base

Unit: mm



Ordering Information

Model Name	Supported Products
PK-DC2DOF	AWK-4131A Series AWK-4252A Series

© Moxa Inc. All rights reserved. Updated Apr 11, 2023.

This document and any portion thereof may not be reproduced or used in any manner whatsoever without the express written permission of Moxa Inc. Product specifications subject to change without notice. Visit our website for the most up-to-date product information.